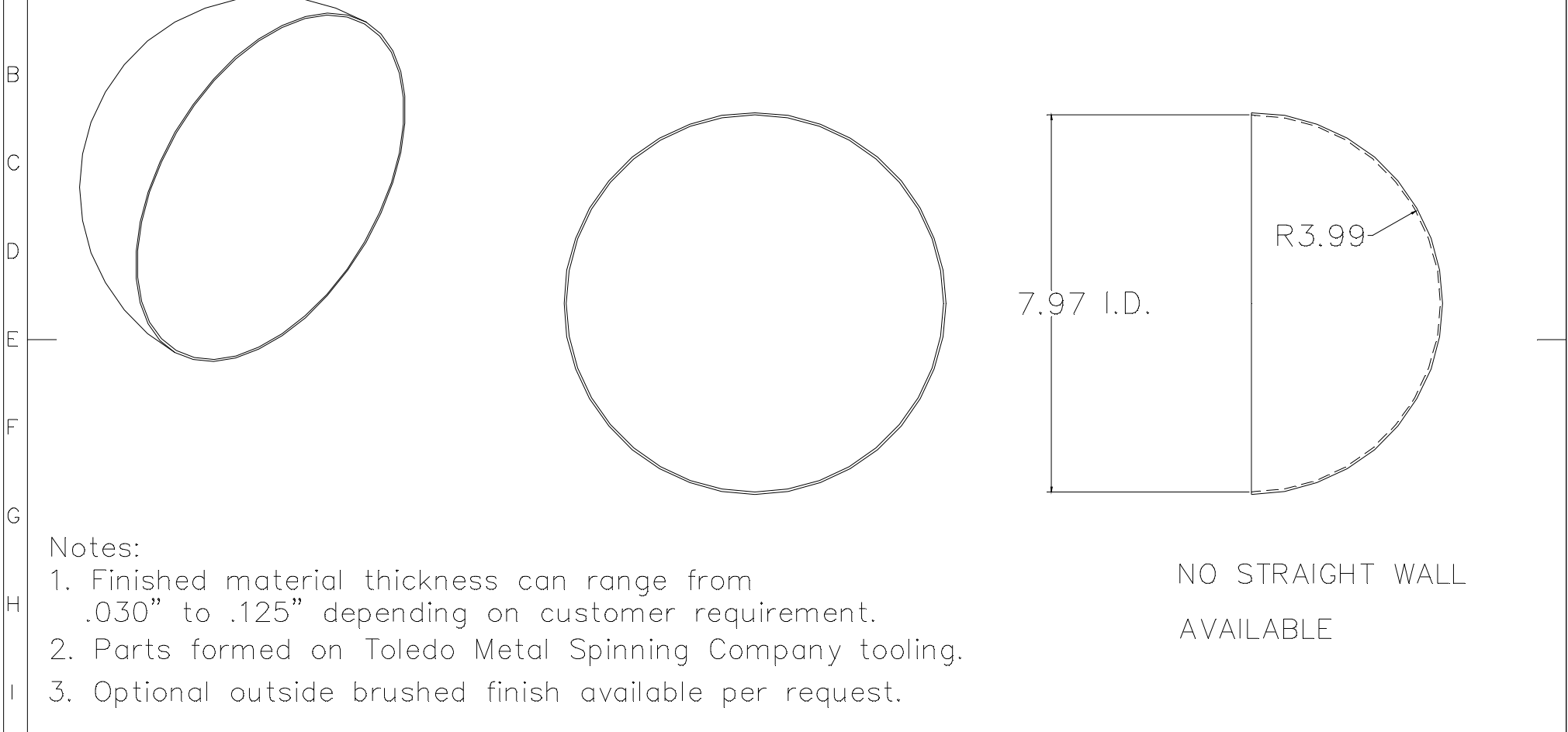



	1	2	3	4	5	6	7	8	9	10	11	12	13	14	15	16	17	18		
												Rev.	Date	Change						
												N/C								



Notes:

1. Finished material thickness can range from .030" to .125" depending on customer requirement.
2. Parts formed on Toledo Metal Spinning Company tooling.
3. Optional outside brushed finish available per request.

NO STRAIGHT WALL
AVAILABLE

 TOLEDO METAL SPINNING Co. 1819 Clinton Street, Toledo, OH 43607 Tel: (419)535-5931 Fax: (419)535-0565 www.toledometal spinning.com	P/N: HM0797-0000	J/N: N/A	Unless otherwise specified 1. Tolerances: X. ±0.25 X.XXX ±0.005 X.X ±0.12 X.XXXX ±0.001 X.XX ±0.03 Ang. ±0.25 2. All dimensions are in inches 3. Break all edges with R1/32" to R1/16"
	Material: Aluminum, Mild Steel, Stainless Steel; Parent Metal Thickness; .060-.187	Date: 03/16/07	
	DWG #: HEMI-7.97-0.dwg	Page 1/1	
	Desc: Hemisphere; No Straight Wall	Drawn By: Donald H. Gray	