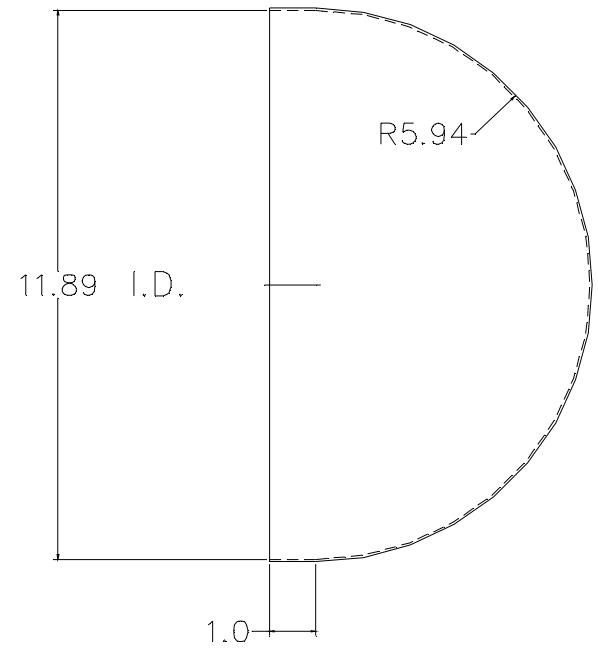
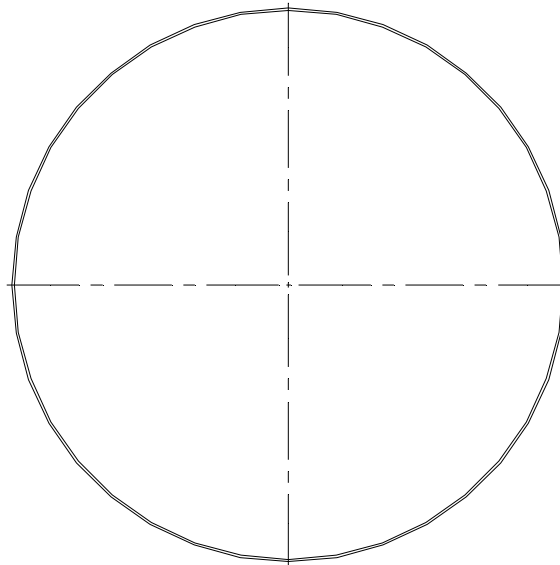
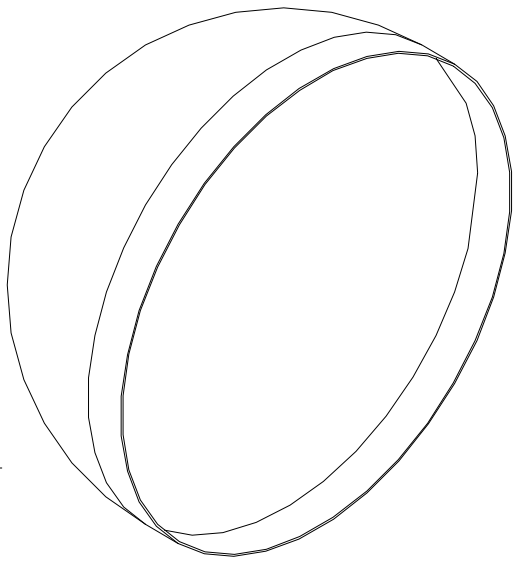


1 2 3 4 5 6 7 8 9 10 11 12 13 14 15 16 17 18

| Rev. | Date | Change |
|------|------|--------|
| N/C  |      |        |

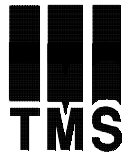
A  
B  
C  
D  
E  
F  
G  
H  
I



Notes:

1. Finished material thickness can range from .030" to .125" depending on customer requirement.
2. Parts formed on Toledo Metal Spinning Company tooling. One piece construction.
3. Optional outside brushed finish available per request.

MAX. STRAIGHT WALL



TOLEDO METAL SPINNING Co.  
1819 Clinton Street, Toledo, OH 43607  
Tel: (419)535-5931 Fax: (419)535-0565  
www.toledometal spinning.com

P/N: HM1189-0100  
Material: Aluminum, Mild Steel, Stainless Steel; Parent Metal Thickness; .060-.187  
DWG #: HEMI-11.89-1.0.dwg  
Desc: Hemisphere with Straight Wall

J/N: N/A  
Date: 07/12/07  
Page 1/1  
Drawn By:  
Donald H. Gray

Unless otherwise specified  
1. Tolerances:  
X. ±0.25 X.XXX ±0.005  
X.X ±0.12 X.XXXX ±0.001  
X.XX ±0.03 Ang. ±0.25  
2. All dimensions are in inches  
3. Break all edges with R1/32" to R1/16"