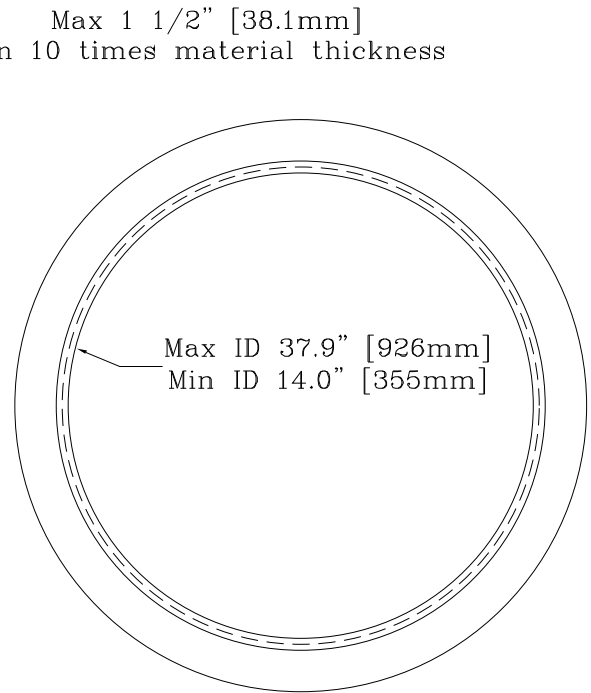
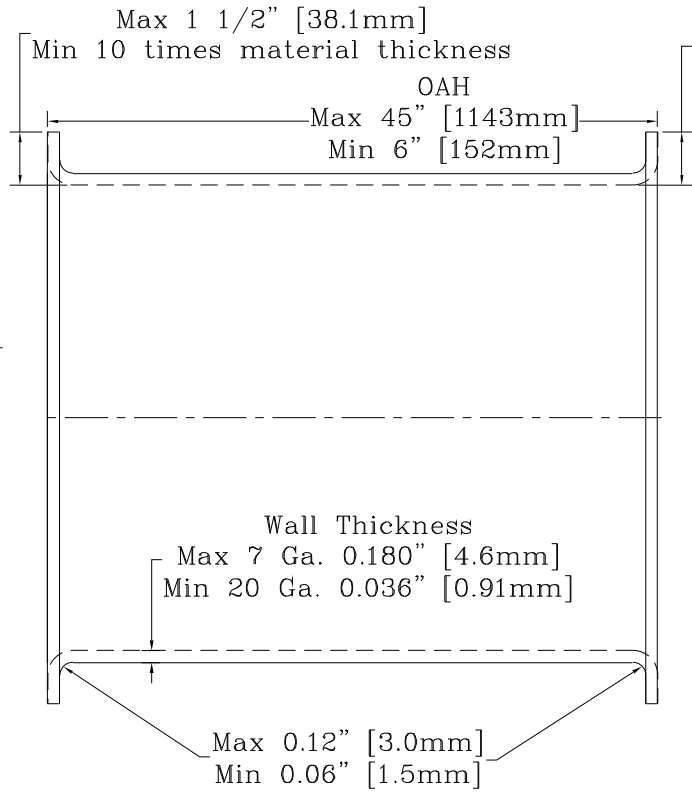


Max OAH and max material thickness cannot be obtained on the same part since they have an inverse relationship in the manufacturing process. See the LCRC chart for a graphical representation of this relationship or use cylinder calculation pages on our website to check specific dimensions and or to place a RFQ.

A  
B  
C  
D  
E  
F  
G  
H  
I



**TOLEDO METAL SPINNING Co.**  
1819 Clinton Street, Toledo, OH 43607  
Tel:(419)535-5931 Fax:(419)535-0565  
www.toledometal spinning.com

P/N: L-CY-XDF-xDxx.xxx  
Desc: Standard double XL flange cylinder for LC  
Material: Al, M/S, SS, Inco. 625  
DWG# L-CY-XDF-xDxx.xxx.dwg Rev# N/C

Unless otherwise specified (DU = Inches)  
Tolerances:  
X. ±0.25 X.XX ±0.030 X.XXXX ±0.001  
X.X ±0.12 X.XXX ±0.010 Ang. ±0.25  
Break all edges with R1/32" to R1/16"