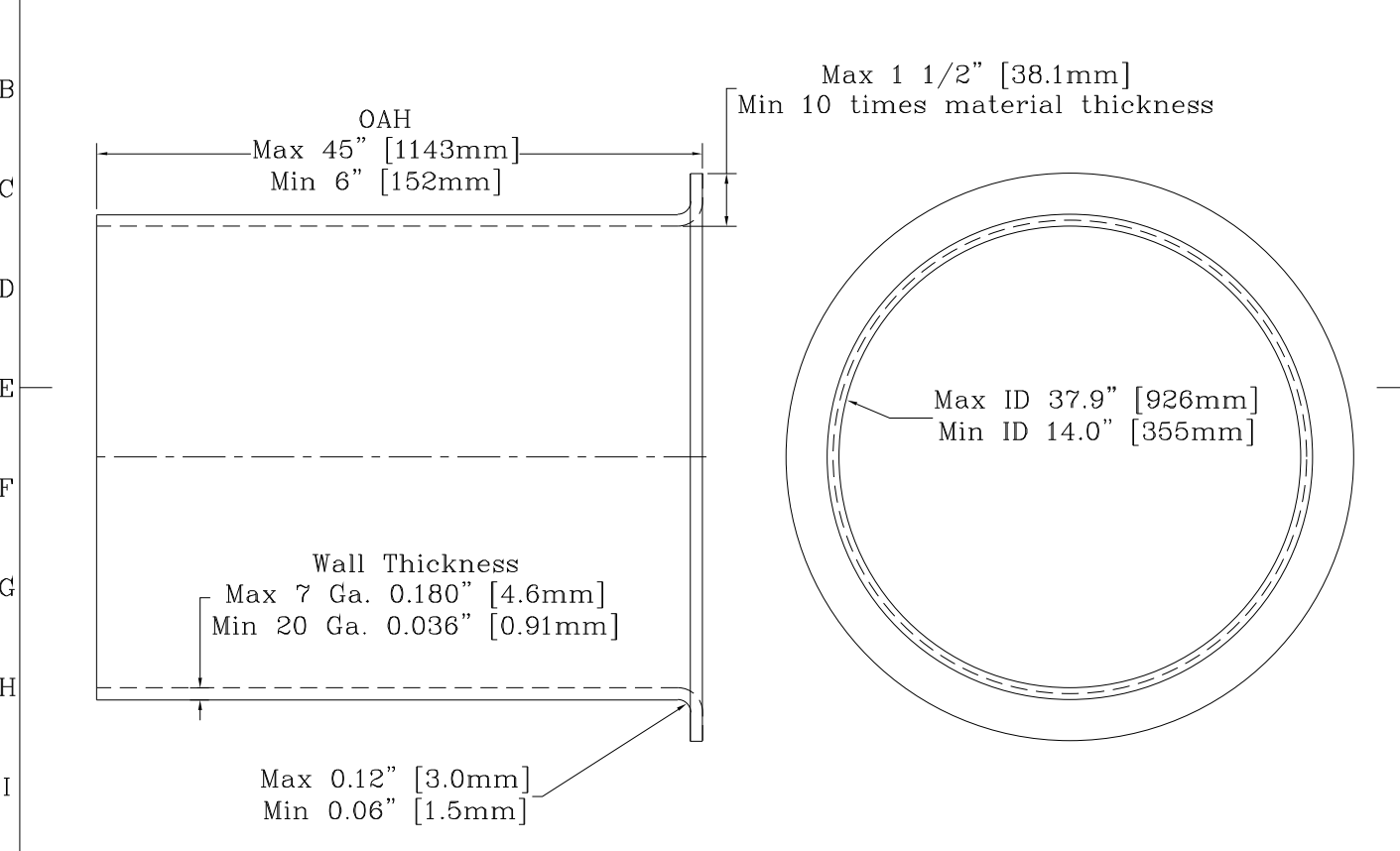



1 2 3 4 5 6 7 8 9 10 11 12 13 14

Max OAH and max material thickness cannot be obtained on the same part since they have an inverse relationship in the manufacturing process. See the LCRC chart for a graphical representation of this relationship or use cylinder calculation pages on our website to check specific dimensions and or to place a RFQ.



	TOLEDO METAL SPINNING Co.	P/N: L-CY-XSF-xDxx.xxx	Unless otherwise specified (DU = Inches)
	1819 Clinton Street, Toledo, OH 43607	Desc: Standard single XL flange cylinder for LC	Tolerances:
	Tel:(419)535-5931 Fax:(419)535-0565	Material: Al, M/S, SS, Inco. 625	X. ±0.25 X.XX ±0.030 X.XXXX ±0.001
	www.toledometal spinning.com	DWG# L-CY-XSF-xDxx.xxx.dwg Rev# N/C	XX ±0.12 X.XXX ±0.010 Ang. ±0.25
			Break all edges with R1/32" to R1/16"