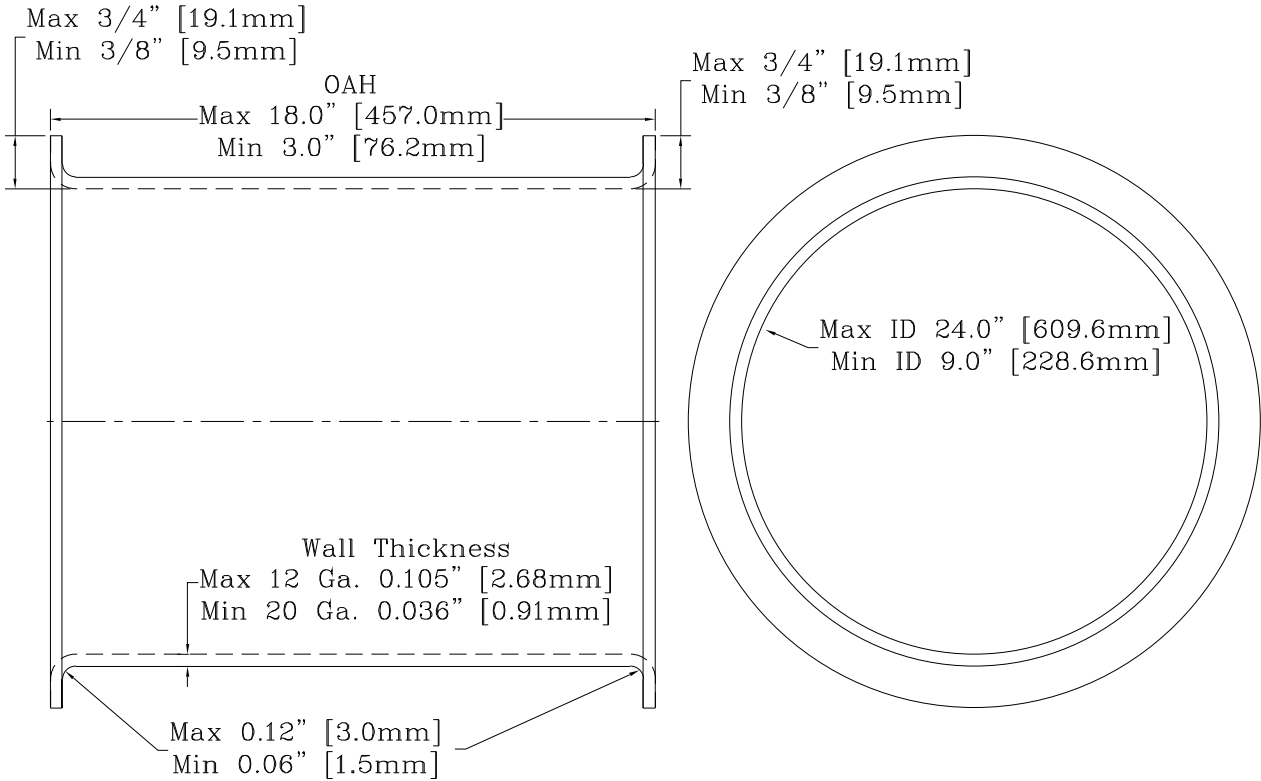


Max OAH and max material thickness cannot be obtained on the same part since they have an inverse relationship in the manufacturing process. See the SCRC chart for a graphical representation of this relationship or use cylinder calculation pages on our website to check specific dimensions and or to place a RFQ.

A
B
C
D
E
F
G
H
I



TOLEDO METAL SPINNING Co.
1819 Clinton Street, Toledo, OH 43607
Tel:(419)535-5931 Fax:(419)535-0565
www.toledometal spinning.com

P/N: S-CY-DF-xDxx.xxx
Desc: Standard double flange cylinder for SC
Material: Al, M/S, SS, Inco. 625
DWG# S-CY-DF-xDxx.xxx.dwg Rev# N/C

Unless otherwise specified (DU = Inches)
Tolerances:
X. ±0.25 X.XX ±0.030 X.XXXX ±0.001
X.X ±0.12 X.XXX ±0.010 Ang. ±0.25
Break all edges with R1/32" to R1/16"