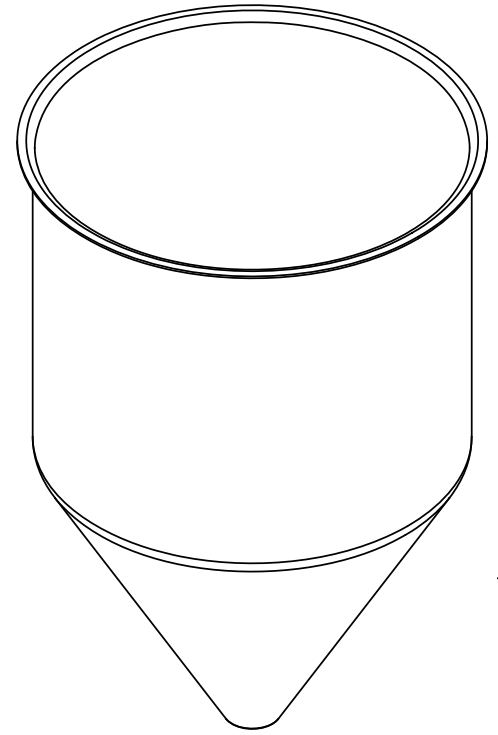
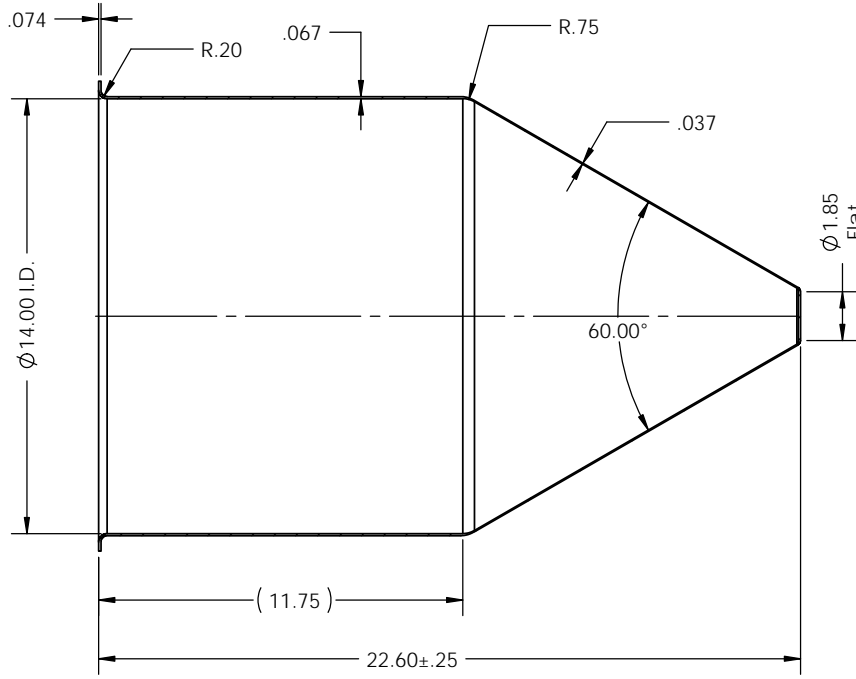
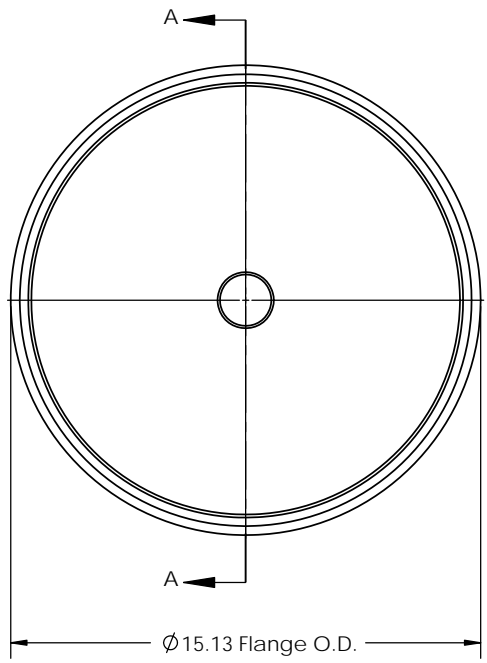


1 2 3 4 5 6 7 8 9 10 11 12 13 14 15 16 17 18

A  
B  
C  
D  
E  
F  
G  
H  
I



SECTION A-A  
SCALE 1 : 4



**TOLEDO METAL SPINNING COMPANY**

1819 Clinton Street, Toledo, OH 43607  
Tel:(419) 535-5931, Fax: (419) 535-0565  
www.toledometal spinning.com

PART NO. TMS141214
DESCRIPTION: 14" hopper with 12" straight wall
MATERIAL: 304 SS 14 Ga

DATE: 01/22/2010
DRAWN BY: L.F.
REV. 02

- Unless otherwise specified:
- Tolerances:  

X. ±0.25	X.XXX ±0.005
X.X ±0.12	X.XXXX ±0.001
X.XX ±0.03	Ang. ±1°
  - All dimensions are in inches
  - Break all edges with R1/32" to R1/16"