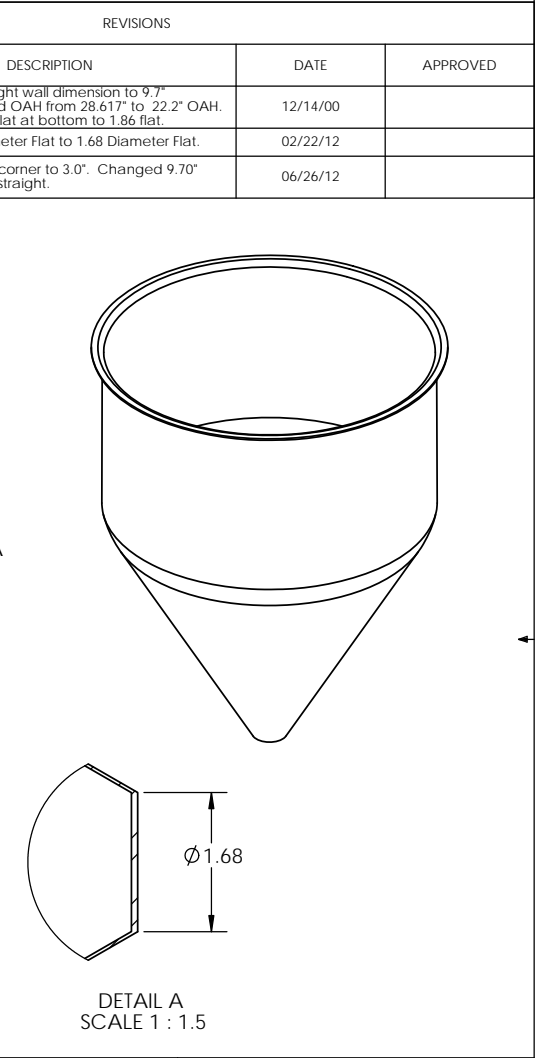
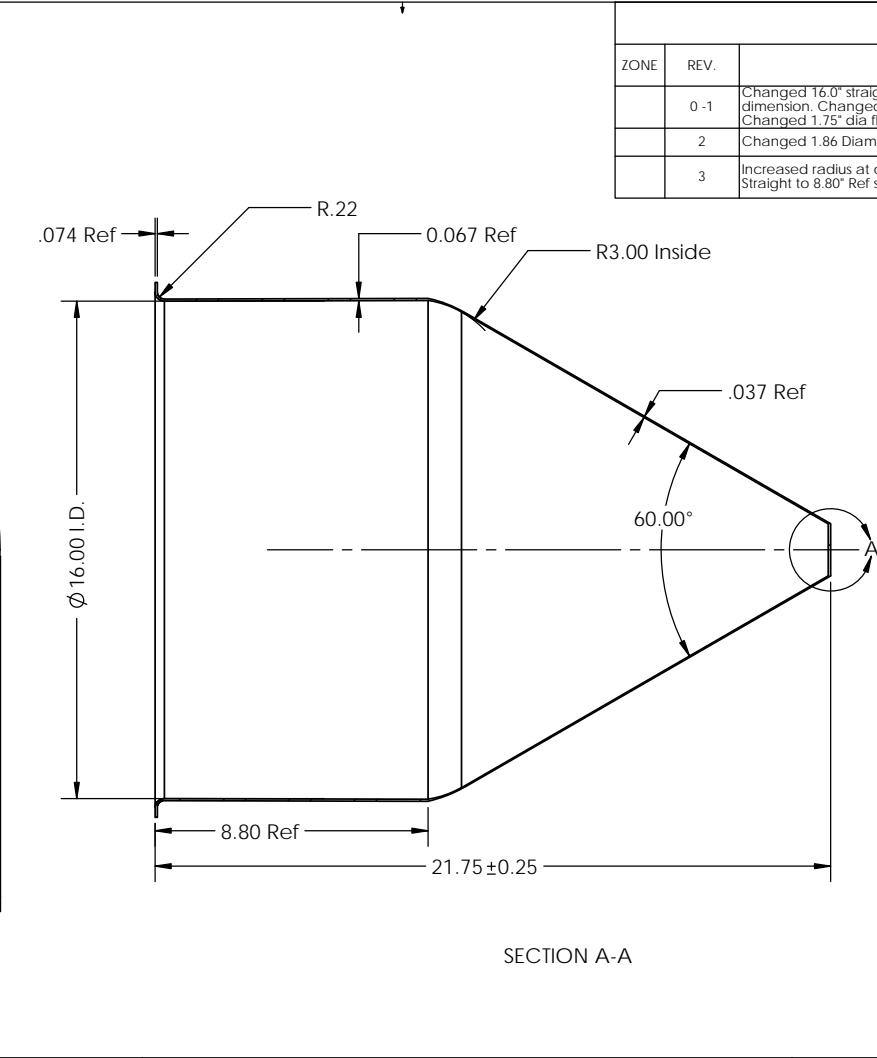
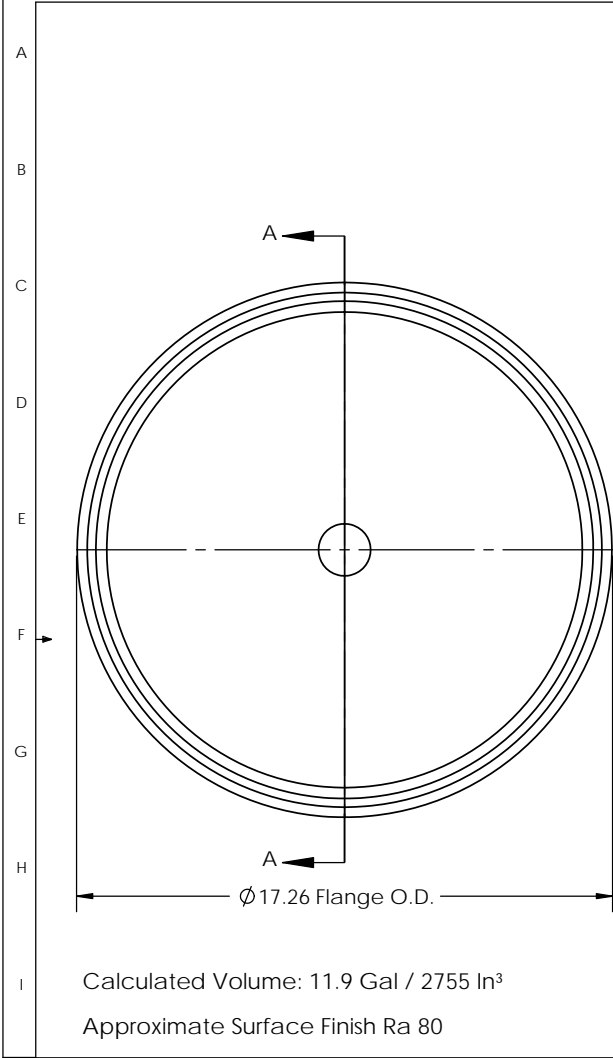


1 2 3 4 5 6 7 8 9 10 11 12 13 14 15 16 17 18



REVISIONS				
ZONE	REV.	DESCRIPTION	DATE	APPROVED
	0-1	Changed 16.0" straight wall dimension to 9.7" dimension. Changed OAH from 28.617" to 22.2" OAH. Changed 1.75" dia flat at bottom to 1.86 flat.	12/14/00	
	2	Changed 1.86 Diameter Flat to 1.68 Diameter Flat.	02/22/12	
	3	Increased radius at corner to 3.0". Changed 9.70" Straight to 8.80" Ref straight.	06/26/12	

TOLEDO METAL SPINNING COMPANY
 1819 Clinton Street, Toledo, OH 43607
 Tel:(419) 535-5931, Fax: (419) 535-0565
 www.toledometal spinning.com

PART NO.	TMS16914	DATE:	06/26/2012
DESCRIPTION:	16 Inch Hopper with 9" straight wall	DRAWN BY:	D. J.
MATERIAL:	304 SS 14 Ga	REV.	03

Unless otherwise specified:	
1. Tolerances:	
X. ±0.25	X.XXX ±0.005
X.X ±0.12	X.XXXX ±0.001
X.XX ±0.03	Ang. ±1°
2. All dimensions are in inches	
3. Break all edges with R1/32" to R1/16"	