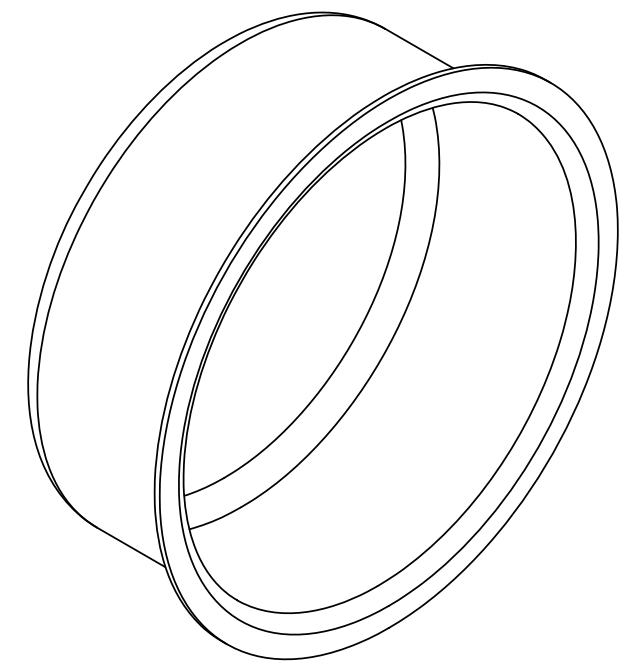
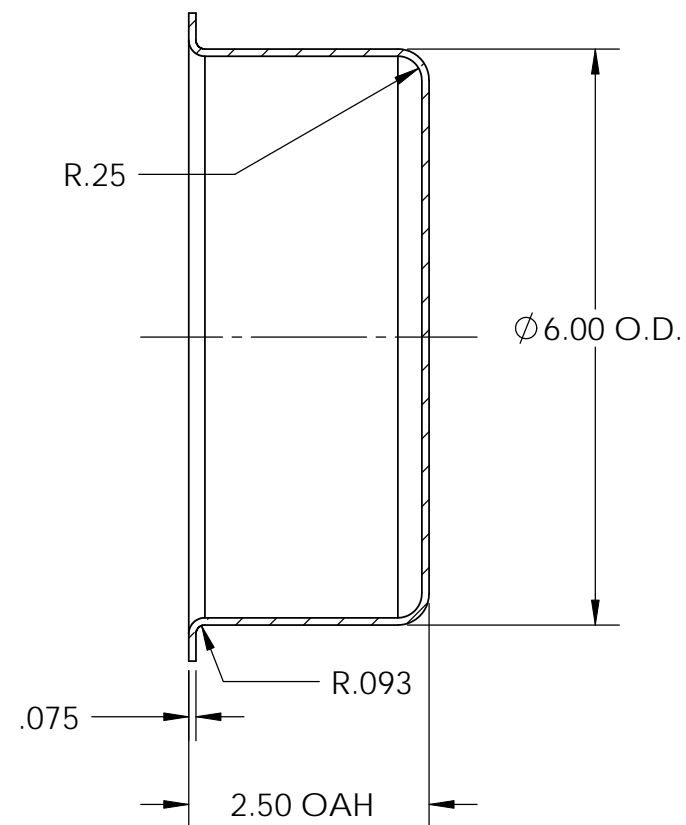
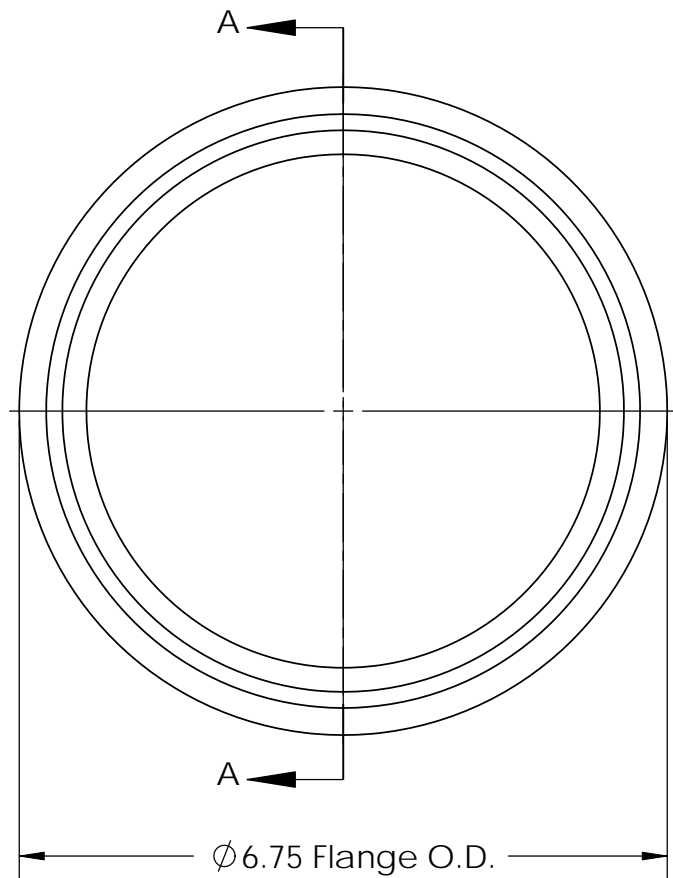


SECTION A-A



**TOLEDO METAL SPINNING COMPANY**

1819 Clinton Street, Toledo, OH 43607  
 Tel:(419) 535-5931, Fax: (419) 535-0565  
 www.toledometal spinning.com

P/N: TMSCUP6314	DATE: 12/30/2010
Description: TMS cup 6" O.D. with 2.5" OAH	DRAWN BY: L.F.
Material: 304 SS 14 Ga	REV. -

- Unless otherwise specified:
- Tolerances:
 

X.	$\pm 0.25$	X.XXX	$\pm 0.005$
X.X	$\pm 0.12$	X.XXXX	$\pm 0.001$
X.XX	$\pm 0.03$	Ang.	$\pm 1^\circ$
  - All dimensions are in inches
  - Break all edges with  $R1/32''$  to  $R1/16''$