

4

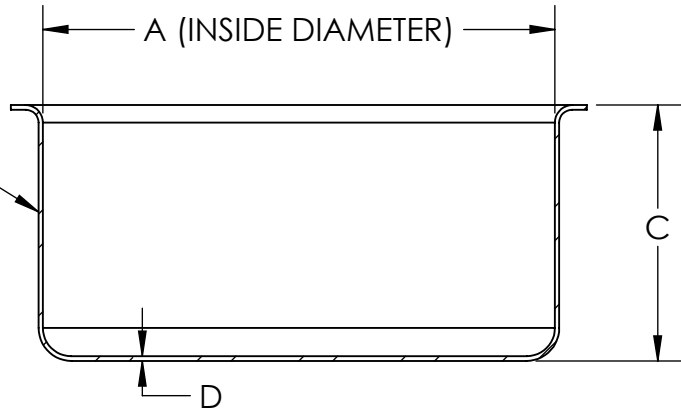
3

2

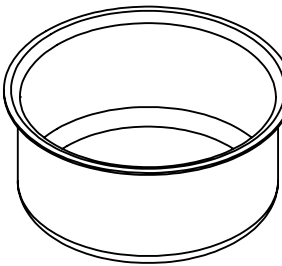
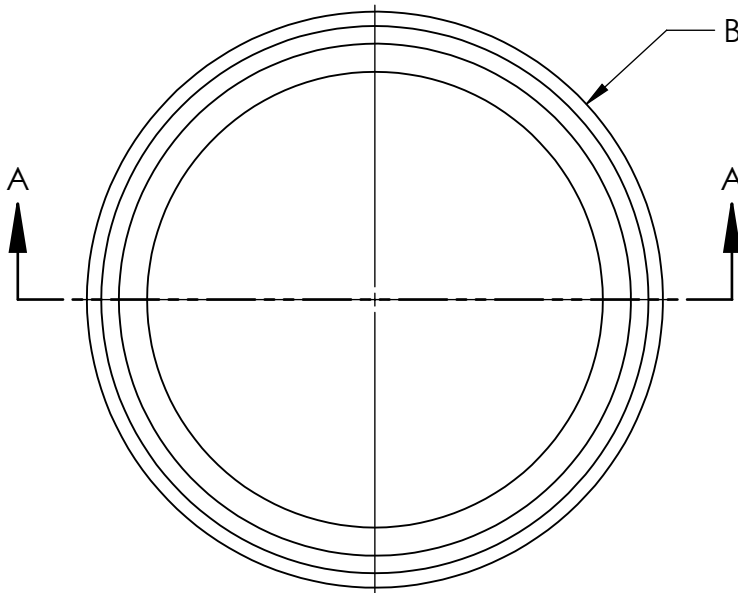
1

PART # SS 304	PART # SS 316	VOLUME (GALLONS)	A	B	C	D
200001	201001	0.2	3.88	4.38	3.25	0.06
200003	201003	0.7	6.25	7.25	4.95	0.07
200004	201004	0.9	8.00	9.00	4.00	0.07
200005	201005	1.2	8.85	10.02	4.48	0.07
200006	201006	2.5	8.85	10.02	9.44	0.07
200007	201007	1.7	10.00	11.00	5.13	0.07
200008	201008	3.5	11.83	13.00	7.38	0.07
200009	201009	5.3	11.83	13.00	11.25	0.07
200010	201010	4.1	14.00	15.13	6.375	0.07
200011	201011	8.3	14.00	15.13	12.46	0.07
200012	201012	7.4	16.08	17.26	8.50	0.07
200013	201013	13.3	19.93	21.19	10.00	0.07
200014	201014	15.6	21.38	22.50	10.13	0.07
200015	201015	15.5	24.00	25.25	8.00	0.07

SEE NOTE 3



SECTION A-A

**NOTES UNLESS OTHERWISE SPECIFIED**

- PART IS SEAMLESS, FORMED FROM SHEET METAL CONTAINING NO WELDS.
- FINISH: AS PRODUCED FROM FORMING PROCESSES.
- STRAIGHT WALL THICKNESS IS +/- 10% OF DIMENSION D.
- DIMENSIONS ARE IN INCHES.
- NO SHARP EDGES OR BURRS.

TOLEDO METAL SPINNING EST. 1929

TITLE:

SEAMLESS STAINLESS STEEL FLANGED
CUPS

SIZE | DRAWING NUMBER

A | **801D005**

FOR REFERENCE ONLY

SHEET 1 OF 1