

PART # SS 304	PART # SS 316	OLD PART #	VOLUME (GALLONS)	A	B	C	D	E	F	G
<u>100000</u>	<u>101000</u>	TMS4316	0.2	3.91	4.38	2.98	6.00	0.03	0.05	0.50
<u>100001</u>	<u>101001</u>	TMS6414	0.8	6.25	7.25	4.51	9.30	0.04	0.07	1.00
<u>100002</u>	<u>101002</u>	TMS9314	1.5	8.85	10.02	2.80	9.30	0.04	0.07	1.68
<u>100003</u>	-	TMS9914	3.0	8.85	10.02	8.50	15.00	0.04	0.07	1.68
<u>100004</u>	<u>101004</u>	TMS12714	4.9	11.85	13.00	7.10	16.13	0.04	0.07	1.68
<u>100005</u>	-	TMS121114	6.7	11.85	13.00	10.77	19.80	0.04	0.07	1.68
<u>100006</u>	<u>101006</u>	TMS14514	6.4	14.00	15.13	5.90	16.75	0.04	0.07	1.68
<u>100007</u>	-	TMS141214	10.5	14.00	15.13	11.72	22.50	0.04	0.07	1.68
<u>100008</u>	<u>101008</u>	TMS16314	7.3	16.00	17.26	3.29	16.25	0.04	0.07	1.68
<u>100009</u>	-	TMS16914	12.0	16.00	17.26	8.80	21.75	0.04	0.07	1.68
<u>100010</u>	<u>101010</u>	TMS20514	14.7	19.93	21.19	4.33	21.00	0.04	0.07	1.68
<u>100011</u>	-	TMS201014	21.0	19.93	21.19	9.23	25.50	0.04	0.07	1.68
<u>100012</u>	-	TMS221014	23.0	21.09	22.50	8.33	26.00	0.04	0.07	1.68
<u>100013</u>	<u>101013</u>	TMS24614	25.5	24.00	25.25	5.31	25.50	0.04	0.07	1.68
<u>100014</u>	-	TMS24914	30.5	24.00	25.25	8.41	28.50	0.04	0.07	1.68
<u>100015</u>	<u>101015</u>	TMS32111	33.0	31.83	N/A	1.00	27.34	0.06	0.09	1.60
<u>100016</u>	<u>101016</u>	TMS36111	51.1	36.06	N/A	1.00	30.90	0.06	0.09	1.60

NOTES UNLESS OTHERWISE SPECIFIED

- PART IS SEAMLESS, FORMED FROM STAINLESS STEEL SHEET METAL CONTAINING NO WELDS.
- FINISH: AS PRODUCED FROM FORMING PROCESSES.
- PART # 100016, 101016, 100015, & 101015 HAS NO FLANGE.
- ALL HOPPERS CAN HAVE A ROLLED AND WELDED CYLINDER ADDED TO INCREASE THE STRAIGHT WALL LENGTH, WITH OR WITHOUT A FLANGE.
- DIMENSIONS ARE IN INCHES.
- NO SHARP EDGES OR BURRS.

Price or purchase online at
www.toledometal spinning.com
 or contact sales at 419-214-3245 or
sales@toledometal spinning.com

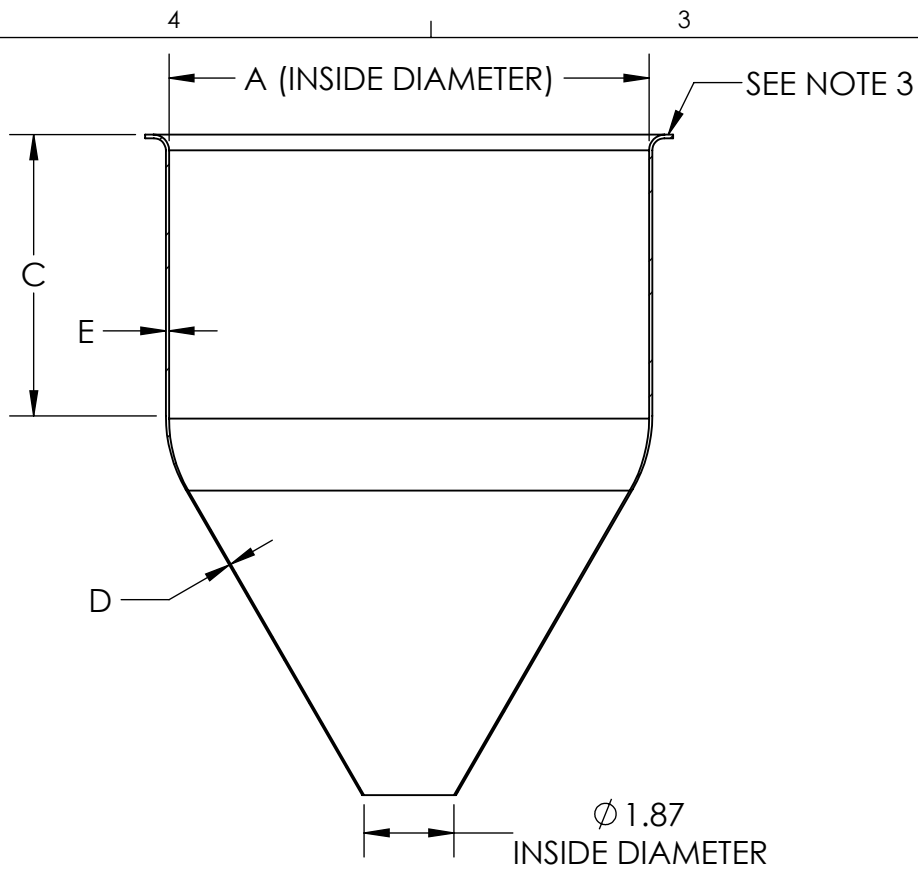
TOLEDO METAL SPINNING EST. 1929

TITLE:
SEAMLESS STAINLESS STEEL HOPPERS

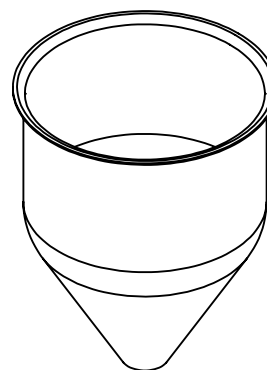
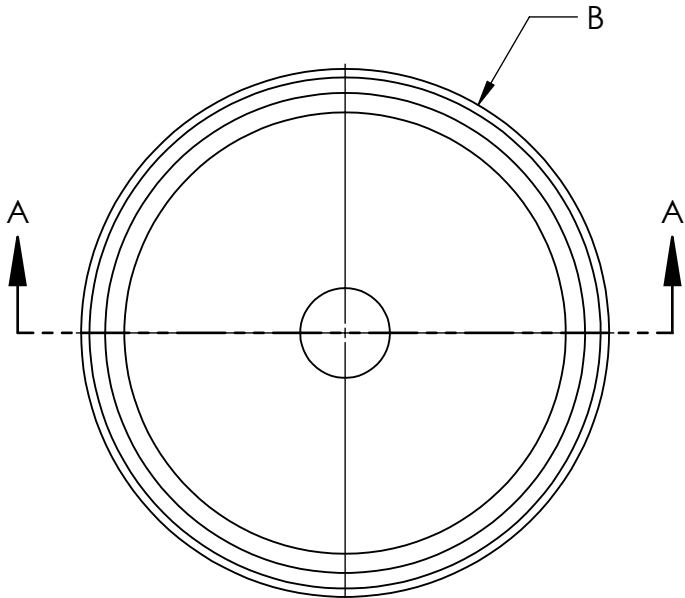
SIZE | DRAWING NUMBER
A | **801D001**

FOR REFERENCE ONLY

SHEET 1 OF 1



SECTION A-A



ISOMETRIC VIEW

PART # SS 304	PART # SS 316	OLD PART #	Volume (Gallons)	A	B	C	D	E
8010006	8010007	TMS4316	0.2	3.91	4.38	2.98	0.03	0.05
8010014	8010015	TMS6414	0.8	6.25	7.25	4.51	0.04	0.07
8010022	8010023	TMS9314	1.5	8.85	10.02	2.80	0.04	0.07
8010030	-	TMS9914	3.0	8.85	10.02	8.50	0.04	0.07
8010038	8010039	TMS12714	4.9	11.85	13.00	7.10	0.04	0.07
8010046	-	TMS121114	6.7	11.85	13.00	10.77	0.04	0.07
8010054	8010055	TMS14514	6.4	14.00	15.13	5.90	0.04	0.07
8010062	-	TMS141214	10.5	14.00	15.13	11.72	0.04	0.07
8010070	8010071	TMS16314	7.3	16.00	17.26	3.29	0.04	0.07
8010078	-	TMS16914	12.0	16.00	17.26	8.80	0.04	0.07
8010086	8010087	TMS20514	14.7	19.93	21.19	4.33	0.04	0.07
8010094	-	TMS201014	21.0	19.93	21.19	9.23	0.04	0.07
8010102	-	TMS221014	23.0	21.09	22.50	8.33	0.04	0.07
8010110	8010111	TMS24614	25.5	24.00	25.25	5.31	0.04	0.07
8010118	-	TMS24914	30.5	24.00	25.25	8.41	0.04	0.07
8010126	8010127	TMS32111	33.0	31.83	N/A	1.00	0.06	0.09
8010134	8010135	TMS36111	51.1	36.06	N/A	1.00	0.06	0.09

NOTES UNLESS OTHERWISE SPECIFIED

1. FINISH: AS PRODUCED FROM FORMING PROCESSES.
2. PART IS SEAMLESS, FORMED FROM SHEET METAL CONTAINING NO WELDS.
3. PART 8010134, 8010135, 8010126, & 8010127 HAS NO FLANGE.
4. ALL HOPPERS CAN HAVE A ROLLED AND WELDED CYLINDER ADDED TO INCREASE THE STRAIGHT WALL LENGTH, WITH OR WITHOUT A FLANGE.
5. DIMENSIONS ARE IN INCHES.
6. NO SHARP EDGES OR BURRS.

Request a quote online at
www.toledometal spinning.com
 or contact sales at 419-214-3245 or
sales@toledometal spinning.com

TOLEDO METAL SPINNING EST. 1929

TITLE:

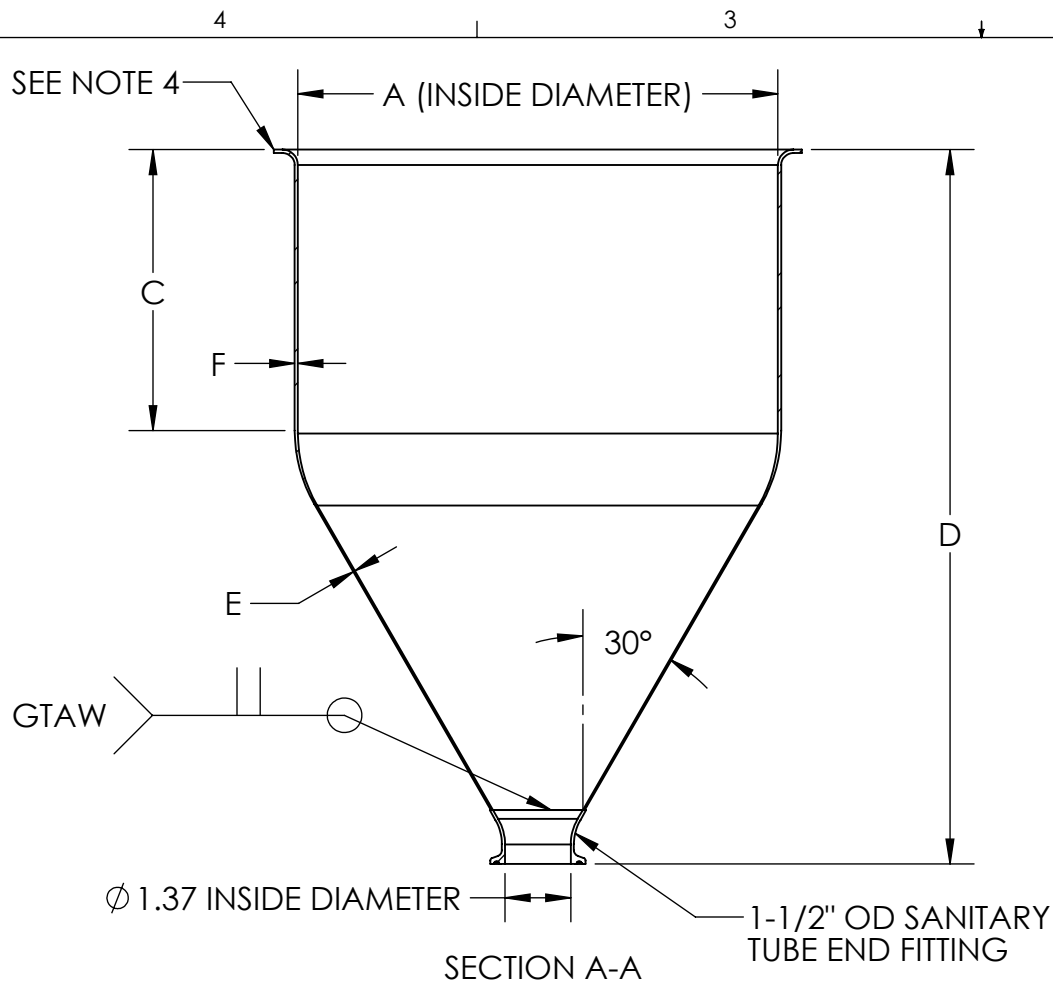
SEAMLESS STAINLESS STEEL
 FABRICATION READY HOPPERS

SIZE | DRAWING NUMBER

A | **801D009**

FOR REFERENCE ONLY

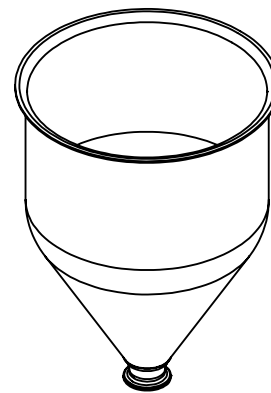
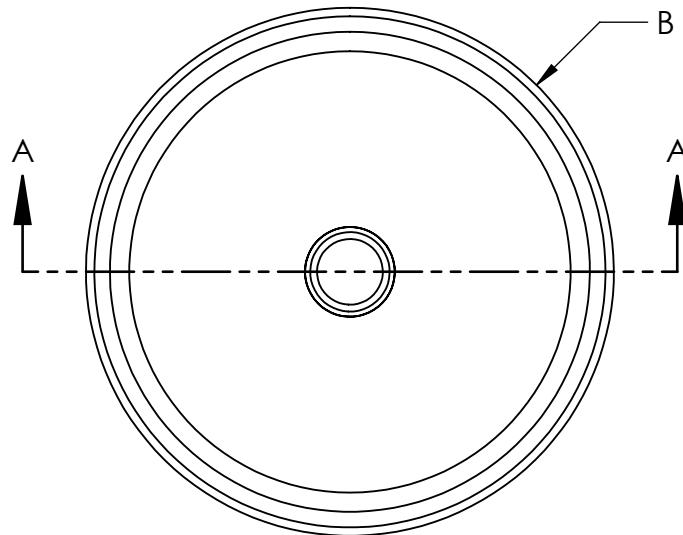
SHEET 1 OF 1



PART # SS 304	PART # SS 316	OLD PART #	Volume (Gallons)	A	B	C	D	E	F
<u>104000</u>	<u>105000</u>	TMS4316	0.2	3.91	4.38	2.98	5.9	0.03	0.05
<u>104001</u>	<u>105001</u>	TMS6414	0.8	6.25	7.25	4.51	9.7	0.04	0.07
<u>104002</u>	<u>105002</u>	TMS9314	1.5	8.85	10.02	2.80	10.2	0.04	0.07
<u>104003</u>	-	TMS9914	3.0	8.85	10.02	8.50	15.9	0.04	0.07
<u>104004</u>	<u>105004</u>	TMS12714	4.9	11.85	13.00	7.10	17.1	0.04	0.07
<u>104005</u>	-	TMS121114	6.7	11.85	13.00	10.77	20.7	0.04	0.07
<u>104006</u>	<u>105006</u>	TMS14514	6.4	14.00	15.13	5.90	17.7	0.04	0.07
<u>104007</u>	-	TMS141214	10.5	14.00	15.13	11.72	23.4	0.04	0.07
<u>104008</u>	<u>105008</u>	TMS16314	7.3	16.00	17.26	3.29	17.2	0.04	0.07
<u>104009</u>	-	TMS16914	12.0	16.00	17.26	8.80	22.7	0.04	0.07
<u>104010</u>	<u>105010</u>	TMS20514	14.7	19.93	21.19	4.33	21.9	0.04	0.07
<u>104011</u>	-	TMS201014	21.0	19.93	21.19	9.23	26.4	0.04	0.07
<u>104012</u>	-	TMS221014	23.0	21.09	22.50	8.33	22.0	0.04	0.07
<u>104013</u>	<u>105013</u>	TMS24614	25.5	24.00	25.25	5.31	26.4	0.04	0.07
<u>104014</u>	-	TMS24914	30.5	24.00	25.25	8.41	29.4	0.04	0.07
<u>104015</u>	<u>105015</u>	TMS32111	33.0	31.83	N/A	1.00	27.0	0.06	0.09
<u>104016</u>	<u>105016</u>	TMS36111	51.1	36.06	N/A	1.00	30.6	0.06	0.09

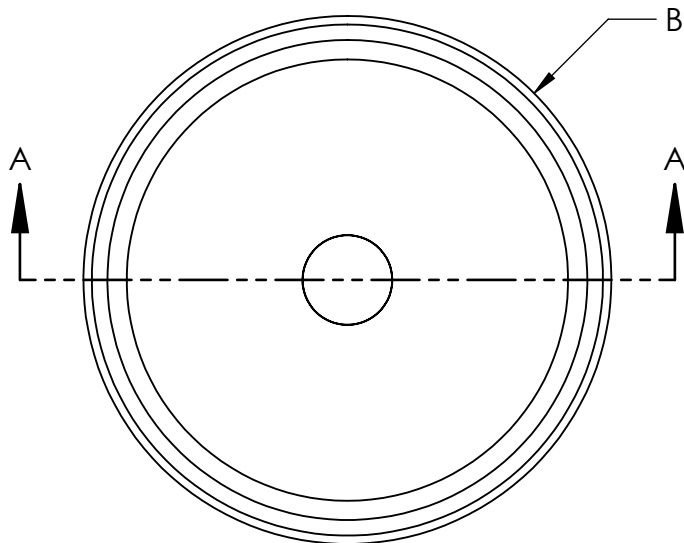
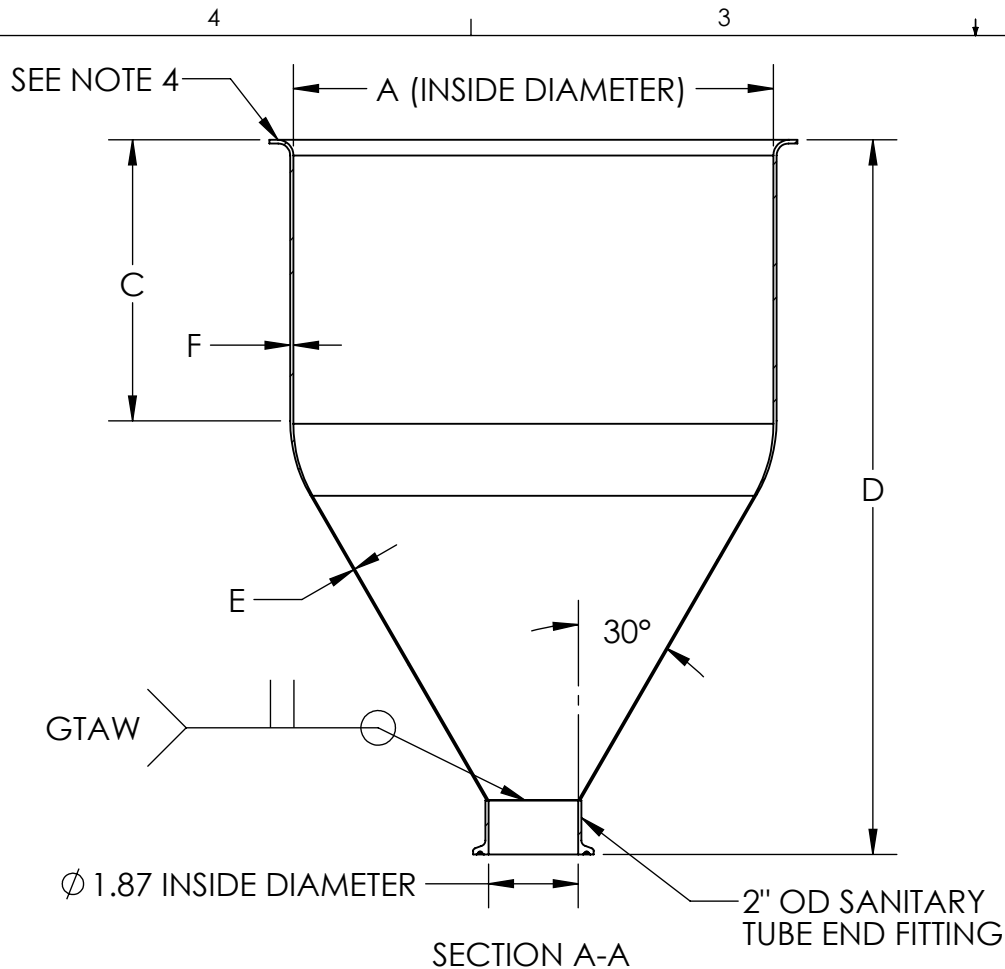
NOTES UNLESS OTHERWISE SPECIFIED

- HOPPER IS SEAMLESS, FORMED FROM STAINLESS STEEL SHEET METAL CONTAINING NO WELDS.
- INSIDE FINISH: BRUSHED FINISH TO 32 Ra.
- OUTSIDE FINISH: BRUSHED FINISH TO 125 Ra.
- PART # 104016, 105016, 104015, & 105015 HAS NO FLANGE.
- ALL HOPPERS CAN HAVE A ROLLED AND WELDED CYLINDER ADDED TO INCREASE THE STRAIGHT WALL LENGTH, WITH OR WITHOUT A FLANGE.
- DIMENSIONS ARE IN INCHES.
- NO SHARP EDGES OR BURRS.



Request a quote online at
www.toledometal spinning.com
 or contact sales at 419-214-3245 or
sales@toledometal spinning.com

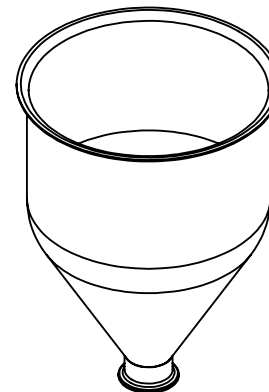
TOLEDO METAL SPINNING EST. 1929	
TITLE: HOPPER WITH WELDED 1.5" TUBE FITTING	
SIZE A	DRAWING NUMBER 801D002
FOR REFERENCE ONLY	
SHEET 1 OF 1	



PART # SS 304	PART # SS 316	OLD PART #	Volume (Gallons)	A	B	C	D	E	F
106000	107000	TMS4316	0.2	3.91	4.38	2.98	5.9	0.03	0.05
106001	107001	TMS6414	0.8	6.25	7.25	4.51	9.7	0.04	0.07
106002	107002	TMS9314	1.5	8.85	10.02	2.80	10.2	0.04	0.07
106003	-	TMS9914	3.0	8.85	10.02	8.50	10.2	0.04	0.07
106004	107004	TMS12714	4.9	11.85	13.00	7.10	17.1	0.04	0.07
106005	-	TMS121114	6.7	11.85	13.00	10.77	20.7	0.04	0.07
106006	107006	TMS14514	6.4	14.00	15.13	5.90	17.7	0.04	0.07
106007	-	TMS141214	10.5	14.00	15.13	11.72	23.4	0.04	0.07
106008	107008	TMS16314	7.3	16.00	17.26	3.29	17.2	0.04	0.07
106009	-	TMS16914	12.0	16.00	17.26	8.80	22.7	0.04	0.07
106010	107010	TMS20514	14.7	19.93	21.19	4.33	21.9	0.04	0.07
106011	-	TMS201014	21.0	19.93	21.19	9.23	26.4	0.04	0.07
106012	-	TMS221014	23.0	21.09	22.50	8.33	22.0	0.04	0.07
106013	107013	TMS24614	25.5	24.00	25.25	5.31	26.4	0.04	0.07
106014	-	TMS24914	30.5	24.00	25.25	8.41	29.4	0.04	0.07
106015	107015	TMS32111	33.0	31.83	N/A	1.00	27.0	0.06	0.09
106016	107016	TMS36111	51.1	36.06	N/A	1.00	30.6	0.06	0.09

NOTES UNLESS OTHERWISE SPECIFIED

- HOPPER IS SEAMLESS, FORMED FROM STAINLESS STEEL SHEET METAL CONTAINING NO WELDS.
- INSIDE FINISH: BRUSHED FINISH TO 32 Ra.
- OUTSIDE FINISH: BRUSHED FINISH TO 125 Ra.
- PART # 106016, 107016, 106015, & 107015 HAS NO FLANGE.
- ALL HOPPERS CAN HAVE A ROLLED AND WELDED CYLINDER ADDED TO STRAIGHT WALL LENGTH, WITH OR WITHOUT A FLANGE.
- DIMENSIONS ARE IN INCHES.
- NO SHARP EDGES OR BURRS.



Request a quote online at
www.toledometal spinning.com
 or contact sales at 419-214-3245 or
sales@toledometal spinning.com

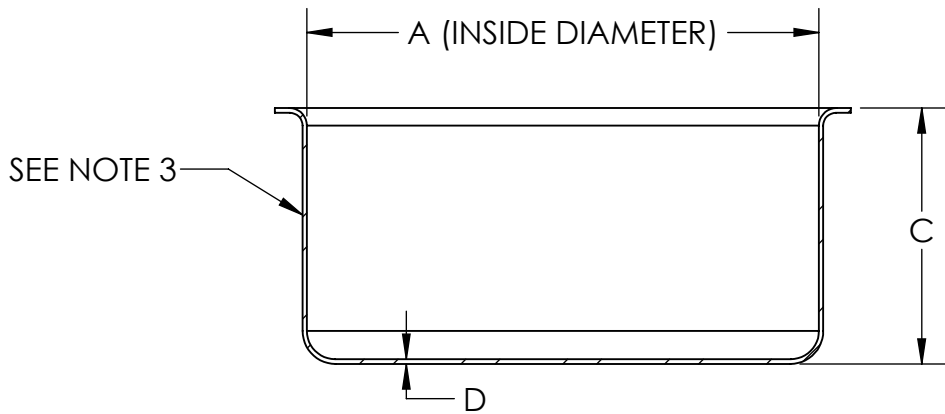
TOLEDO METAL SPINNING EST. 1929

TITLE:
 HOPPER WITH WELDED 2" TUBE FITTING

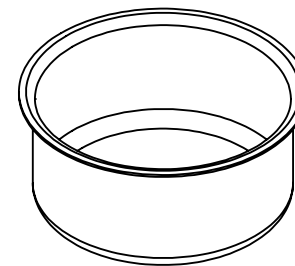
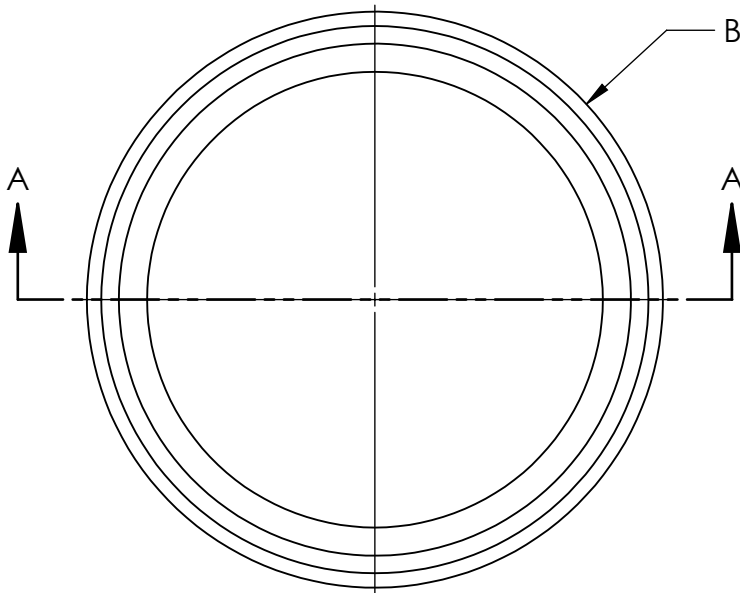
SIZE | DRAWING NUMBER
 A | **801D003**

FOR REFERENCE ONLY

SHEET 1 OF 1



SECTION A-A



PART # SS 304	PART # SS 316	OLD PART #	VOLUME (GALLONS)	A	B	C	D
<u>200001</u>	<u>201001</u>	TMSCUP4316	0.2	3.88	4.38	3.25	0.06
<u>200003</u>	<u>201003</u>	TMSCUP6414	0.7	6.25	7.25	4.95	0.07
<u>200004</u>	<u>201004</u>	TMSCUP8414	0.9	8.00	9.00	4.00	0.07
<u>200005</u>	<u>201005</u>	TMSCUP9314	1.2	8.85	10.02	4.48	0.07
<u>200006</u>	<u>201006</u>	TMSCUP9914	2.5	8.85	10.02	9.44	0.07
<u>200007</u>	<u>201007</u>	TMSCUP10514	1.7	10.00	11.00	5.13	0.07
<u>200008</u>	<u>201008</u>	TMSCUP12714	3.5	11.83	13.00	7.38	0.07
<u>200009</u>	<u>201009</u>	TMSCUP121114	5.3	11.85	13.00	11.63	0.07
<u>200010</u>	<u>201010</u>	TMSCUP14514	4.1	14.00	15.13	6.375	0.07
<u>200011</u>	<u>201011</u>	TMSCUP141214	8.3	14.00	15.13	12.46	0.07
<u>200012</u>	<u>201012</u>	TMSCUP16314	7.4	16.08	17.26	4.60	0.07
<u>200013</u>	<u>201013</u>	TMSCUP201014	13.3	19.93	21.19	10.00	0.07
<u>200014</u>	<u>201014</u>	TMSCUP221014	15.6	21.38	22.50	10.13	0.07
<u>200015</u>	<u>201015</u>	TMSCUP24614	15.5	24.00	25.25	6.75	0.07

NOTES UNLESS OTHERWISE SPECIFIED

- PART IS SEAMLESS, FORMED FROM SHEET METAL CONTAINING NO WELDS.
- FINISH: AS PRODUCED FROM FORMING PROCESSES.
- STRAIGHT WALL THICKNESS IS +/- 10% OF DIMENSION D.
- DIMENSIONS ARE IN INCHES.
- NO SHARP EDGES OR BURRS.

Price or purchase online at
www.toledometal spinning.com or
 contact sales at 419-214-3245 or
sales@toledometal spinning.com

TOLEDO METAL SPINNING EST. 1929	
TITLE: SEAMLESS STAINLESS STEEL FLANGED CUPS	
SIZE A	DRAWING NUMBER 801D004
FOR REFERENCE ONLY	
SHEET 1 OF 1	

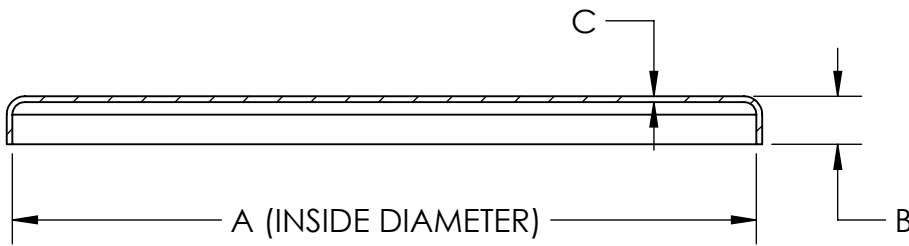
4

3

2

1

PART # SS 304	PART # SS 316	OLD PART #	A	B	C
<u>600000</u>	<u>601000</u>	TMSL616	7.75	0.50	0.06
<u>600001</u>	<u>601001</u>	TMSL916	10.13	0.50	0.06
<u>600002</u>	<u>601002</u>	TMSL1216	13.13	0.75	0.06
<u>600003</u>	<u>601003</u>	TMSL1416	15.50	0.75	0.06
<u>600004</u>	<u>601004</u>	TMSL1616	17.55	0.75	0.06
<u>600005</u>	<u>601005</u>	TMSL2016	21.42	0.75	0.06
<u>600006</u>	<u>601006</u>	TMSL2216	23.00	0.75	0.06
<u>600007</u>	<u>601007</u>	TMSL2416	25.97	0.75	0.06
<u>600008</u>	<u>601008</u>	TMSL3616	36.43	1.00	0.06

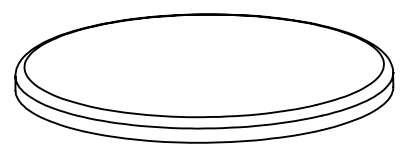
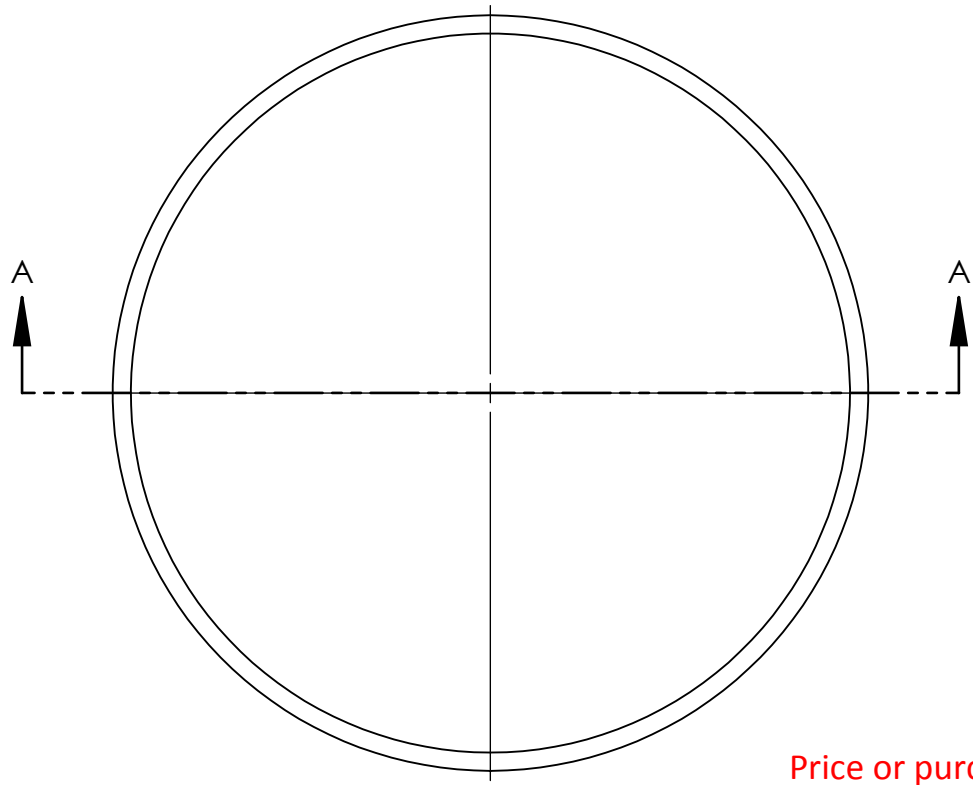


A (INSIDE DIAMETER)

SECTION A-A

NOTES UNLESS OTHERWISE SPECIFIED

- PART IS SEAMLESS, FORMED FROM SHEET METAL CONTAINING NO WELDS.
- FINISH: AS PRODUCED FROM FORMING PROCESSES.
- DIMENSIONS ARE IN INCHES.
- NO SHARP EDGES OR BURRS.



Price or purchase online at
www.toledometal spinning.com
 or contact sales at 419-214-3245 or
sales@toledometal spinning.com

TOLEDO METAL SPINNING EST. 1929	
TITLE: STAINLESS STEEL FLAT LIDS	
SIZE A	DRAWING NUMBER 801D005
FOR REFERENCE ONLY	
SHEET 1 OF 1	

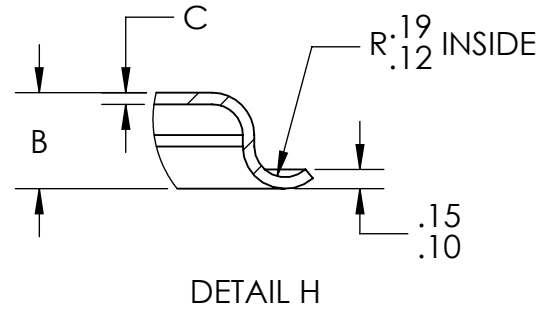
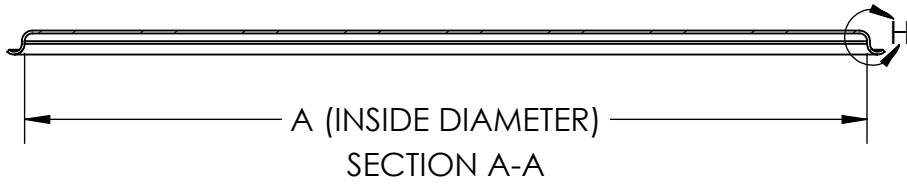
4

3

2

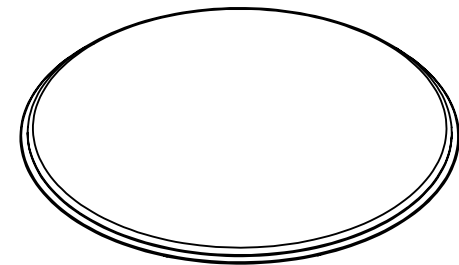
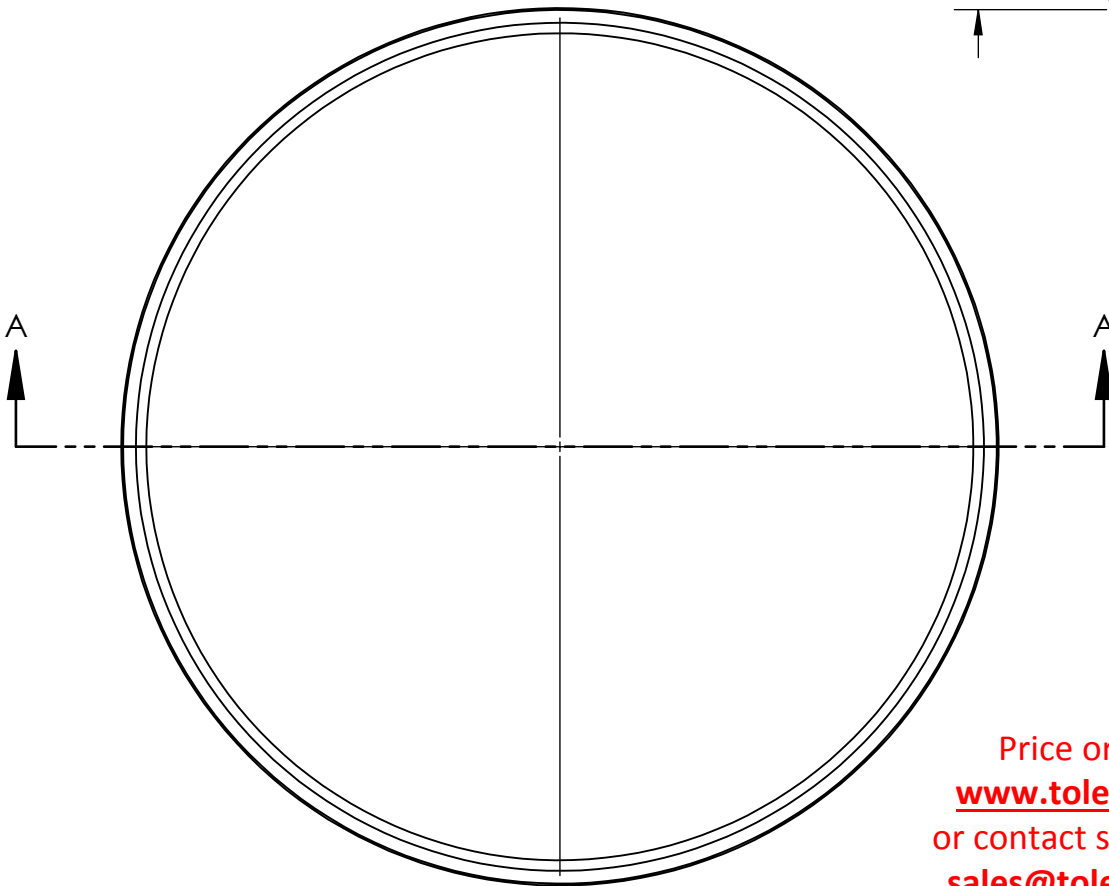
1

PART # SS 304	PART # SS 316	OLD PART #	A	B	C
<u>604000</u>	<u>605000</u>	TMSL616	7.75	0.31	0.06
<u>604001</u>	<u>605001</u>	TMSL916	10.13	0.31	0.06
<u>604002</u>	<u>605002</u>	TMSL1216	13.13	0.56	0.06
<u>604003</u>	<u>605003</u>	TMSL1416	15.50	0.56	0.06
<u>604004</u>	<u>605004</u>	TMSL1616	17.55	0.56	0.06
<u>604005</u>	<u>605005</u>	TMSL2016	21.42	0.56	0.06
<u>604006</u>	<u>605006</u>	TMSL2216	23.00	0.56	0.06
<u>604007</u>	<u>605007</u>	TMSL2416	25.97	0.56	0.06
<u>604008</u>	<u>605008</u>	TMSL3616	36.43	0.81	0.06



NOTES UNLESS OTHERWISE SPECIFIED

- PART IS SEAMLESS, FORMED FROM SHEET METAL CONTAINING NO WELDS.
- FINISH: AS PRODUCED FROM FORMING PROCESSES.
- DIMENSIONS ARE IN INCHES.
- NO SHARP EDGES OR BURRS.



TOLEDO METAL SPINNING EST. 1929

TITLE:
STAINLESS STEEL SEAMLESS BEADED LIDS

SIZE A DRAWING NUMBER
801D006

FOR REFERENCE ONLY

SHEET 1 OF 1

Price or purchase online at
www.toledometal spinning.com
or contact sales at 419-214-3245 or
sales@toledometal spinning.com

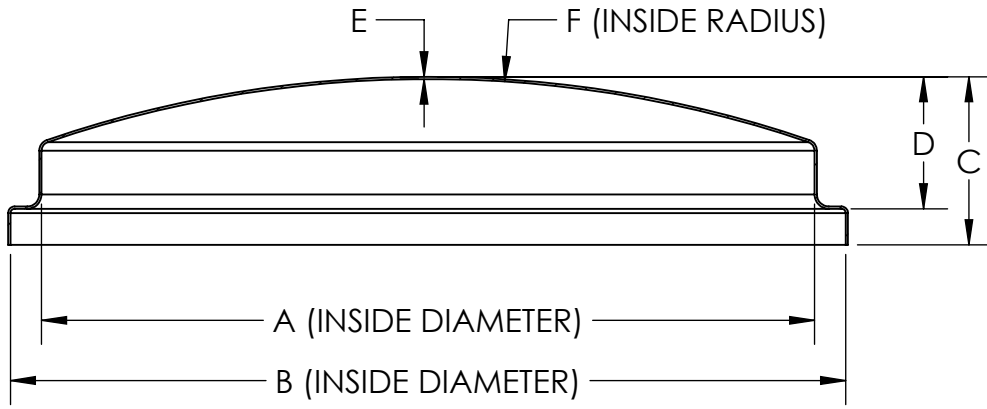
4

3

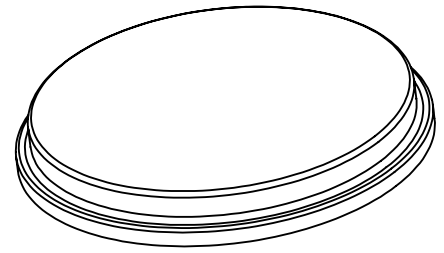
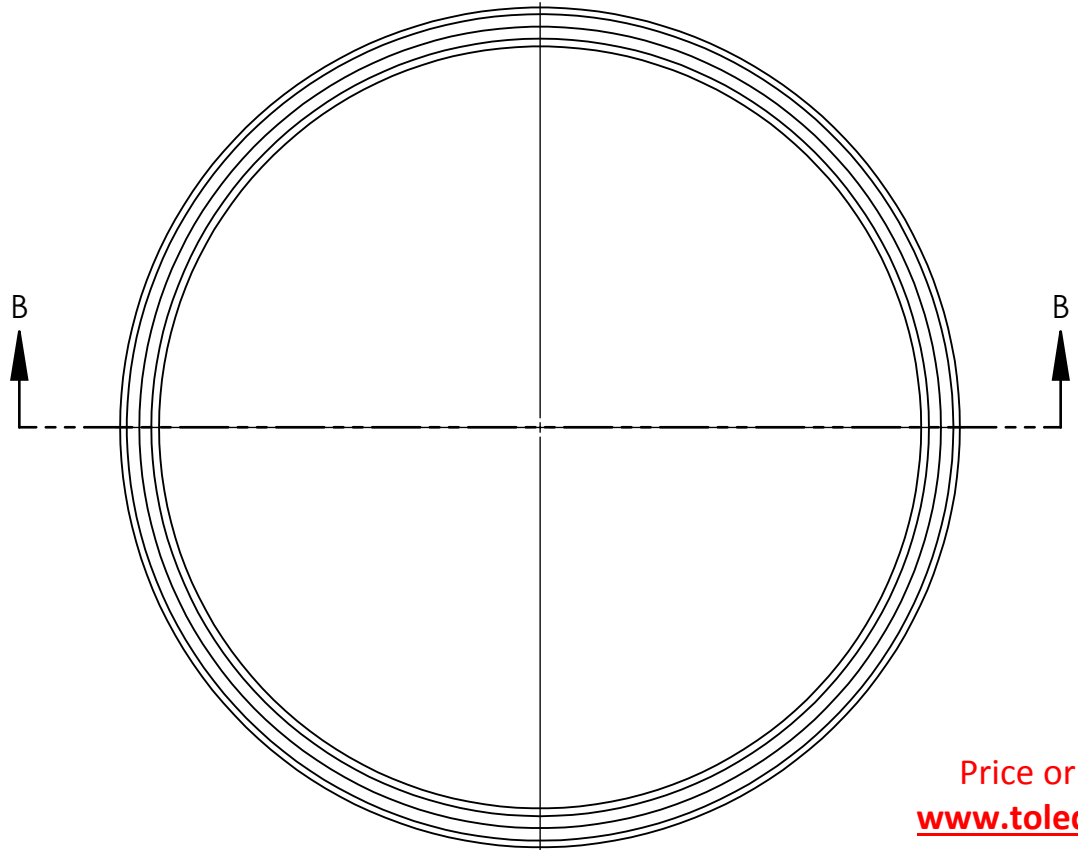
2

1

PART # SS 304	PART # SS 316	OLD PART #	A	B	C	D	E	F
602000	603000	TMSLD1618	16.10	17.40	3.50	2.7	0.048	24.53
602001	603001	TMSLD2418	23.92	25.32	5.20	4.40	0.048	27.00



SECTION B-B



NOTES UNLESS OTHERWISE SPECIFIED

1. PART IS SEAMLESS, FORMED FROM SHEET METAL CONTAINING NO WELDS.
2. FINISH: AS PRODUCED FROM FORMING PROCESSES.
3. DIMENSIONS ARE IN INCHES.
4. NO SHARP EDGES OR BURRS.

Price or purchase online at
www.toledometal spinning.com
 or contact sales at 419-214-3245 or
sales@toledometal spinning.com

TOLEDO METAL SPINNING EST. 1929	
TITLE: STAINLESS STEEL SEAMLESS DOMED LIDS	
SIZE A	DRAWING NUMBER 801D007
FOR REFERENCE ONLY	
SHEET 1 OF 1	

D

C

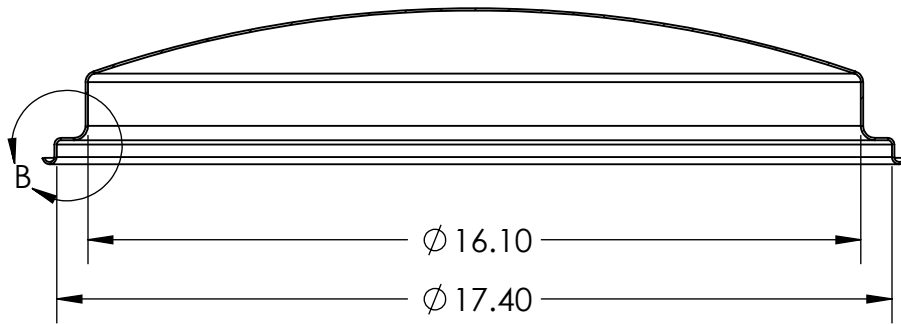
B

A

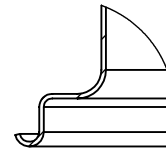
PART # SS 304	PART # SS 316	OLD PART #	A	B	C	D	E	F
606000	607000	TMSLD1618	16.10	17.40	3.50	2.7	0.048	24.53
606001	607001	TMSLD2418	23.92	25.32	5.20	4.40	0.048	27.00

NOTES UNLESS OTHERWISE SPECIFIED

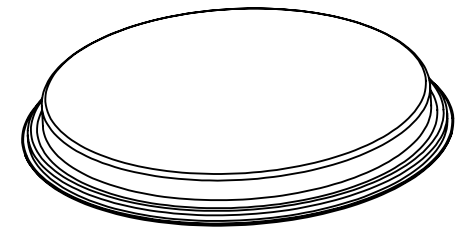
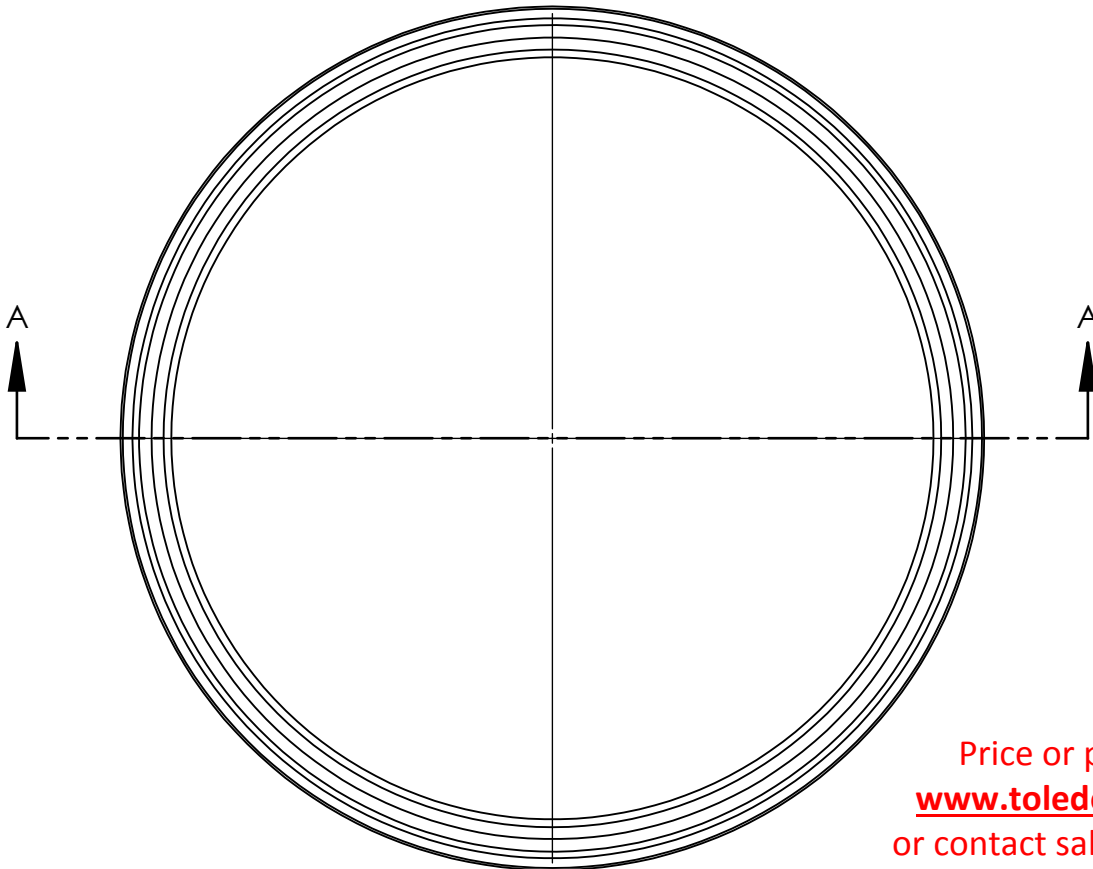
- PART IS SEAMLESS, FORMED FROM SHEET METAL CONTAINING NO WELDS.
- FINISH: AS PRODUCED FROM FORMING PROCESSES.
- DIMENSIONS ARE IN INCHES.
- NO SHARP EDGES OR BURRS.



SECTION A-A



DETAIL B



Price or purchase online at
www.toledometal spinning.com
 or contact sales at 419-214-3245 or
sales@toledometal spinning.com

TOLEDO METAL SPINNING EST. 1929	
TITLE: STAINLESS STEEL SEAMLESS DOME BEADED LIDS	
SIZE A	DRAWING NUMBER 801D008
FOR REFERENCE ONLY	
SHEET 1 OF 1	