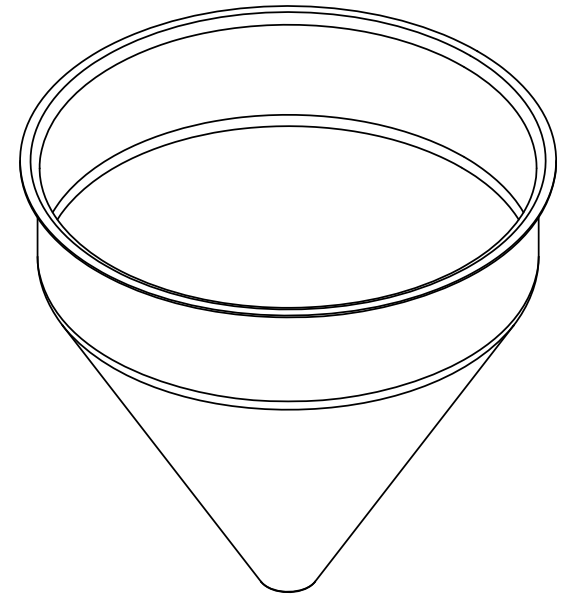
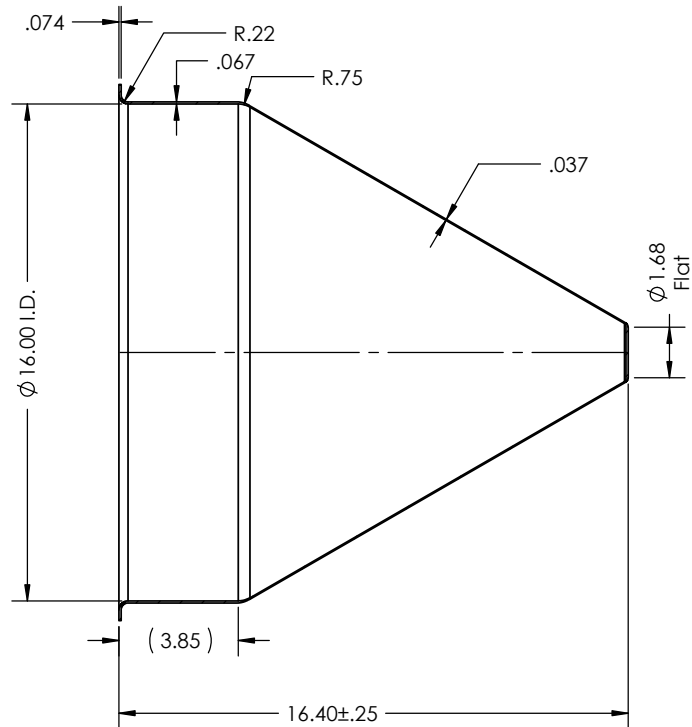
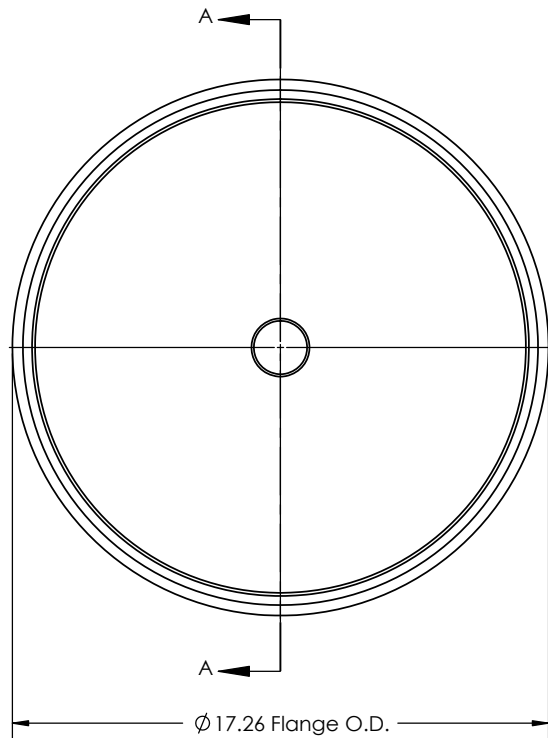


1 2 3 4 5 6 7 8 9 10 11 12 13 14 15 16 17 18

A
B
C
D
E
F
G
H
I



SECTION A-A
SCALE 1 : 4



TOLEDO METAL SPINNING COMPANY

1819 Clinton Street, Toledo, OH 43607
Tel: (419) 535-5931, Fax: (419) 535-0565
www.toledometal spinning.com

PART NO. TMS16314-316SS

DESCRIPTION: 16" hopper with 3" straight wall

MATERIAL: 316 SS 14 Ga

DATE: 01/22/2010

DRAWN BY: L.F.

REV. 02

Unless otherwise specified:

1. Tolerances:

X.	±0.25	X.XXX	±0.005
X.X	±0.12	X.XXXX	±0.001
X.XX	±0.03	Ang.	±1°
2. All dimensions are in inches
3. Break all edges with R1/32" to R1/16"