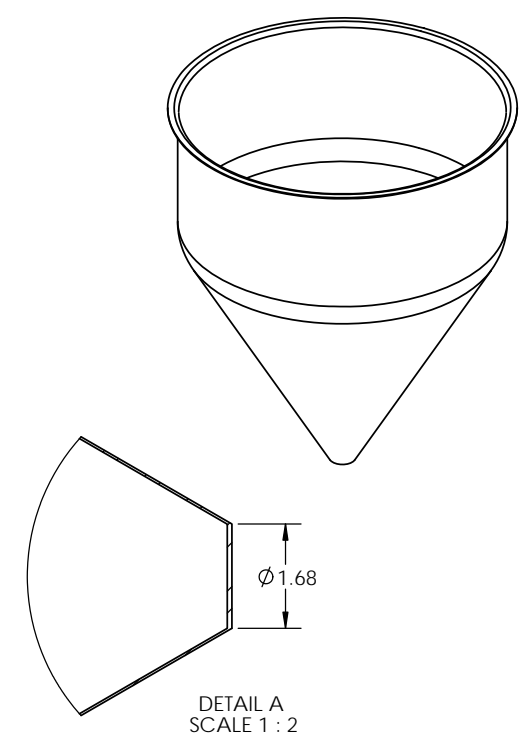
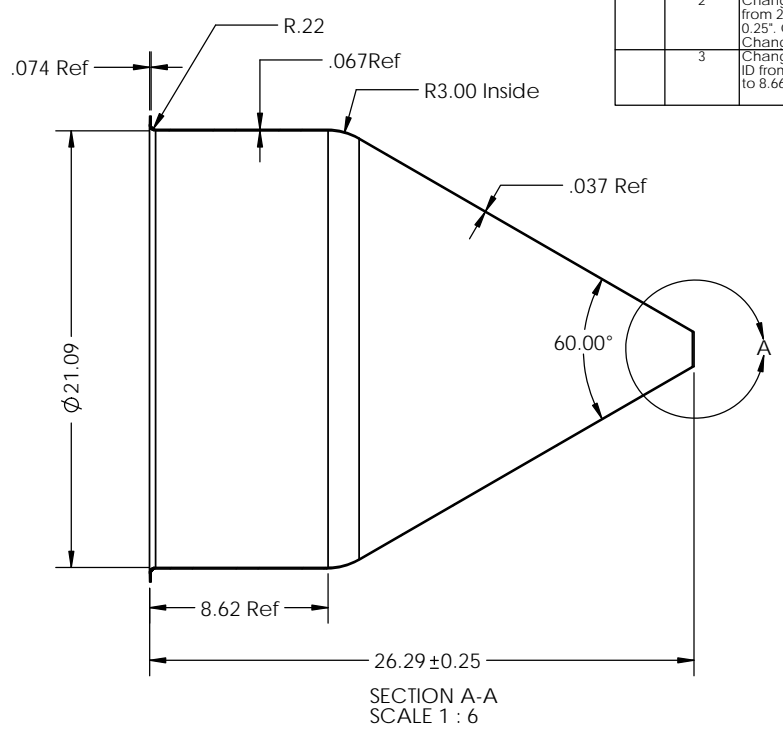
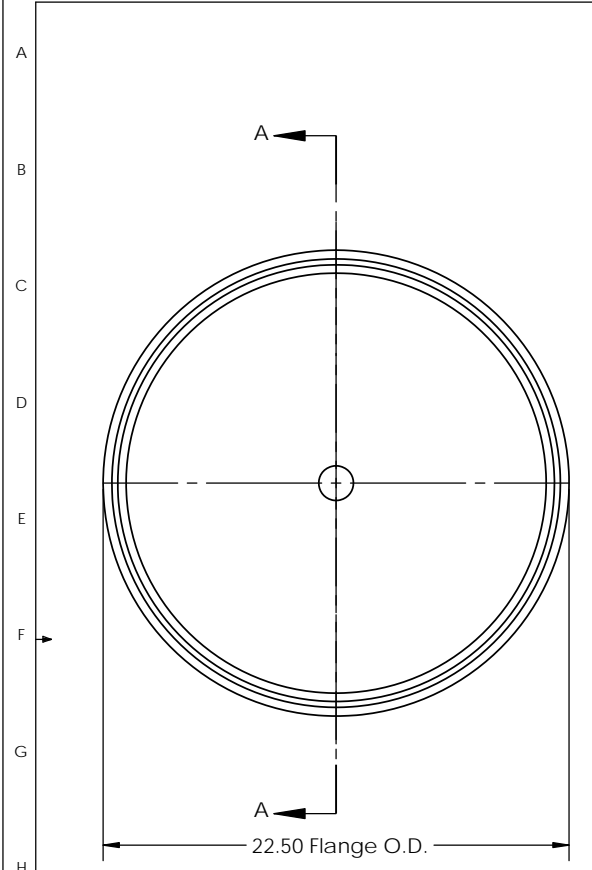


1 2 3 4 5 6 7 8 9 10 11 12 13 14 15 16 17 18



REVISIONS				
ZONE	REV.	DESCRIPTION	DATE	APPROVED
	0-1	Change OAH from 26.5" to 26.3". Change ID from 21.38" to 21.19".	10/11/07	
	2	Change bottom flat from 1.86" to 1.5" flat. Change ID from 21.19" to 21.09". Change top radius from 0.20" to 0.25". Change side wall straight from 9.38" to 9.4". Change inside radius from 0.75" to 3.00".	09/16/09	
	3	Change OAH from 26.3" to 26.29". Change bottom flat ID from 1.5" to 1.68". Change side wall straight from 9.4" to 8.66" due to radius increase.	06/26/12	

Calculated Volume: 23 Gal / 5315 In³
 Approximate Surface Finish Ra 80



TOLEDO METAL SPINNING COMPANY
 1819 Clinton Street, Toledo, OH 43607
 Tel:(419) 535-5931, Fax: (419) 535-0565
 www.toledometal spinning.com

PART NO. TMS221014	DATE: 06/26/2012	Unless otherwise specified: 1. Tolerances: X. ±0.25 X.XXX ±0.005 X.X ±0.12 X.XXXX ±0.001 X.XX ±0.03 Ang. ±1° 2. All dimensions are in inches 3. Break all edges with R1/32" to R1/16"
DESCRIPTION: 22 Inch Hopper with 10" straight wall	DRAWN BY: D. J.	
MATERIAL: 304 SS 14 Ga	REV. 03	