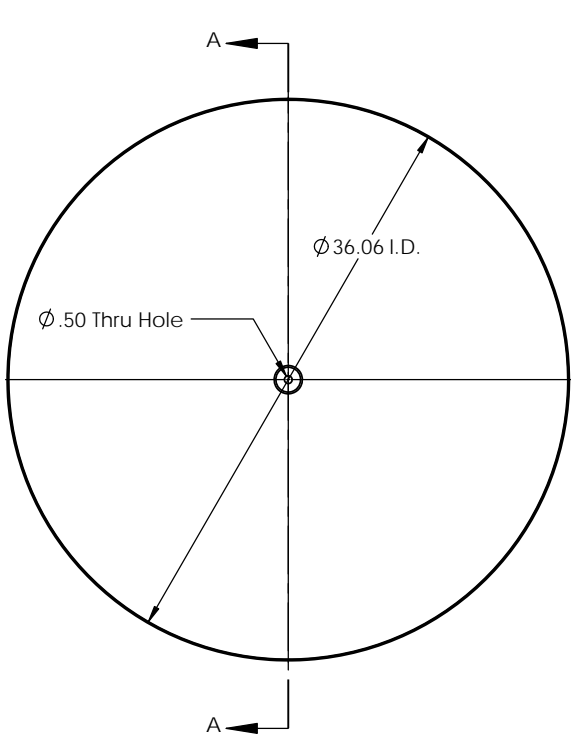


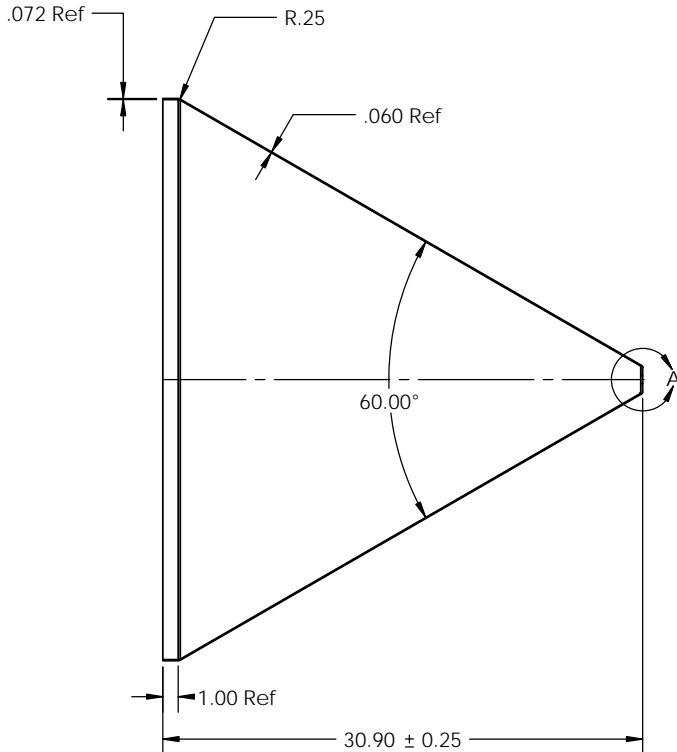
1 2 3 4 5 6 7 8 9 10 11 12 13 14 15 16 17 18

A  
B  
C  
D  
E  
F  
G  
H  
I

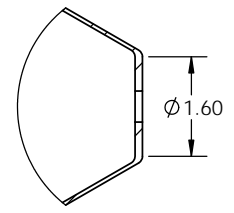
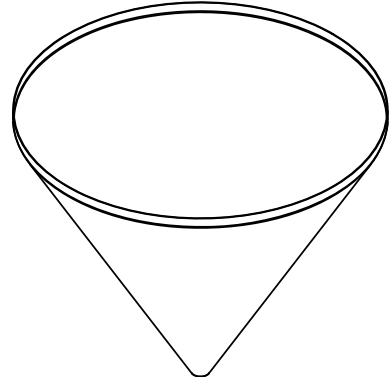
REVISIONS				
ZONE	REV.	DESCRIPTION	DATE	APPROVED
	0 - 1	Changed punched hole dimension from ( 0.50" to 0.56" ) to standard tolerance.	01/22/10	



Calculated Volume: 51.1Gal / 11714 In<sup>3</sup>  
Approximate Surface Finish Ra 80



SECTION A-A  
SCALE 1 : 8



DETAIL A  
SCALE 1 : 2



**TOLEDO METAL SPINNING COMPANY**

1819 Clinton Street, Toledo, OH 43607  
Tel: (419) 535-5931, Fax: (419) 535-0565  
www.toledometal spinning.com

PART NO. TMS36111	DATE: 01/22/2010
DESCRIPTION: 36" hopper with 1" straight wall	DRAWN BY: L.F.
MATERIAL: 304 SS 11 Ga	REV. 01

- Unless otherwise specified:
- Tolerances:  
 X. ±0.25 X.XXX ±0.005  
 X.X ±0.12 X.XXXX ±0.001  
 X.XX ±0.03 Ang. ±1°
  - All dimensions are in inches
  - Break all edges with R1/32" to R1/16"