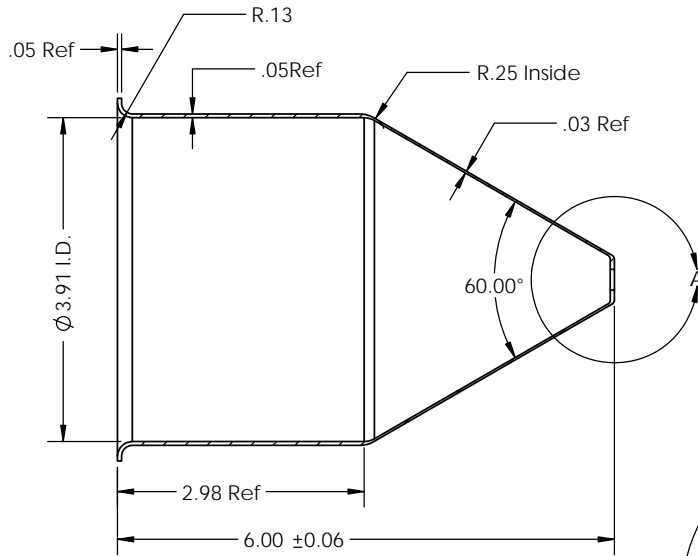
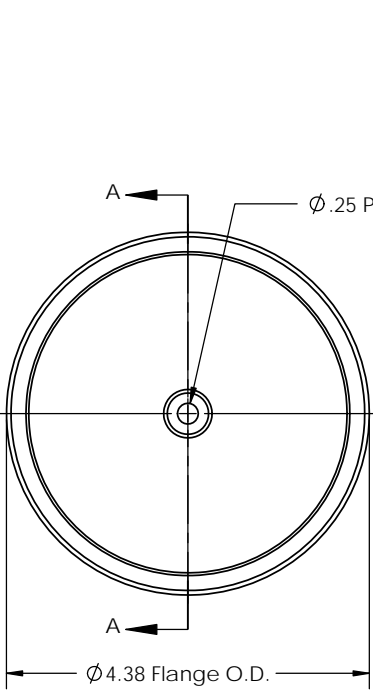
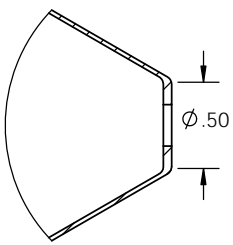


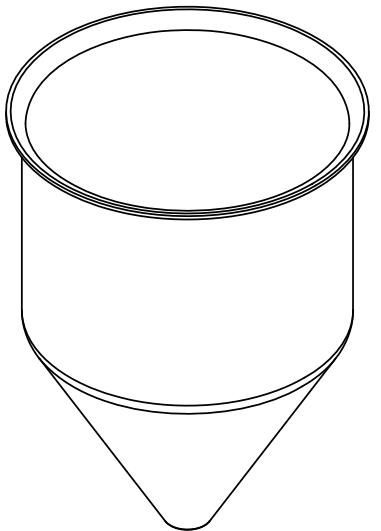
1 2 3 4 5 6 7 8 9 10 11 12 13 14 15 16 17 18



SECTION A-A
SCALE 1 : 1.5



DETAIL A
SCALE 2 : 1.5



REVISIONS				
ZONE	REV.	DESCRIPTION	DATE	APPROVED
	0 - 1	Changed diameter of flat from 0.5" to 0.50"	01/19/10	
	2	Changed I.D. from 3.99" to 3.91"	07/24/12	

Calculated Volume 0.22 Gal/ 50.8 In³
Approximate Surface finish Ra 80



TOLEDO METAL SPINNING COMPANY

1819 Clinton Street, Toledo, OH 43607
Tel:(419) 535-5931, Fax: (419) 535-0565
www.toledometal spinning.com

PART NO: TMS4316	DATE: 07/24/2012
DESCRIPTION: TMS 4" hopper with 3" straight wall	DRAWN BY: D.J.
MATERIAL: 304 SS 16 GA	REV. 02

Unless otherwise specified:
1. Tolerances:
X. ±0.25 X.XXX ±0.005
X.X ±0.12 X.XXXX ±0.001
X.XX ±0.03 Ang. ±1°
2. All dimensions are in inches
3. Break all edges with R1/32" to R1/16"