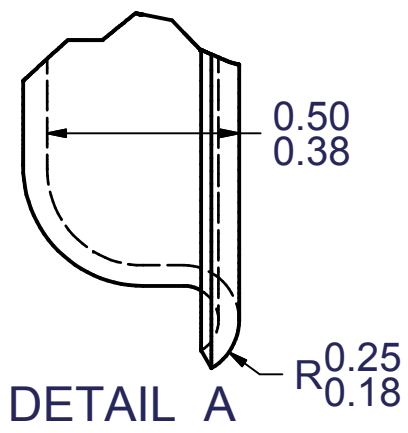
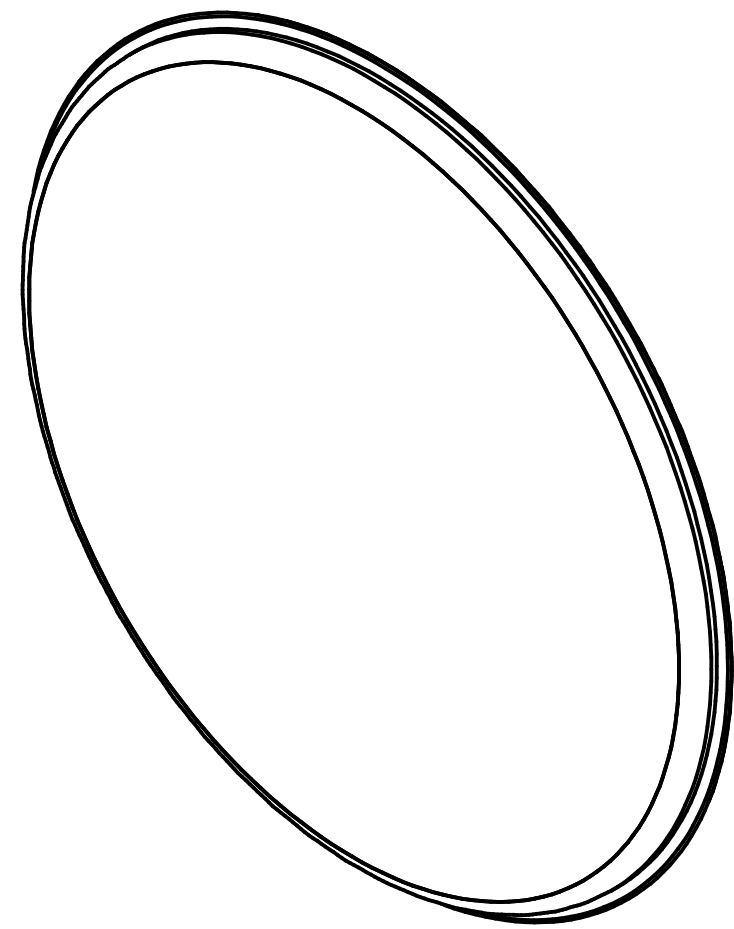
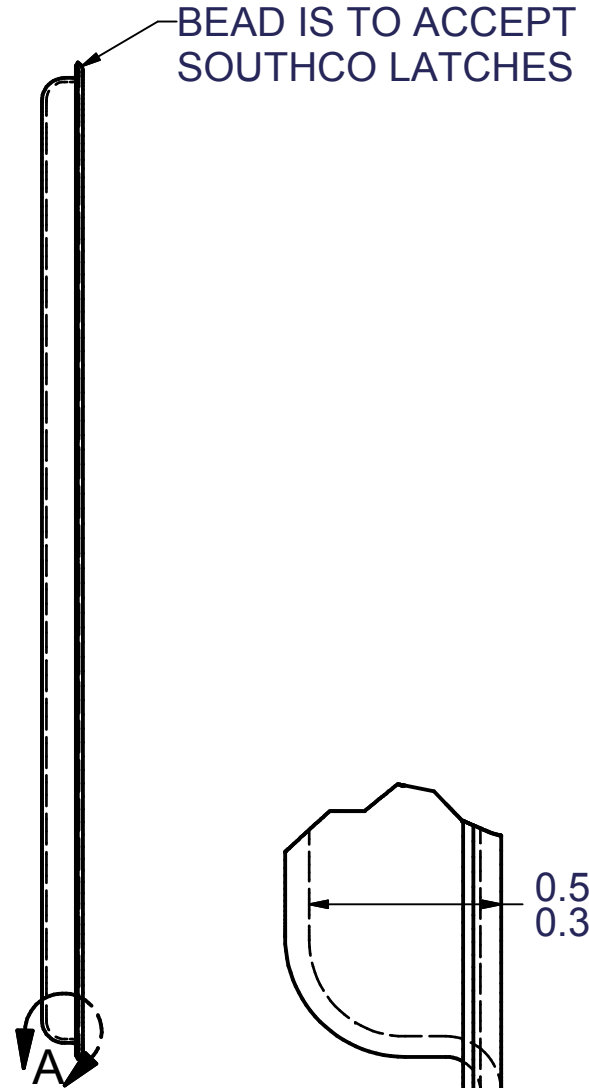
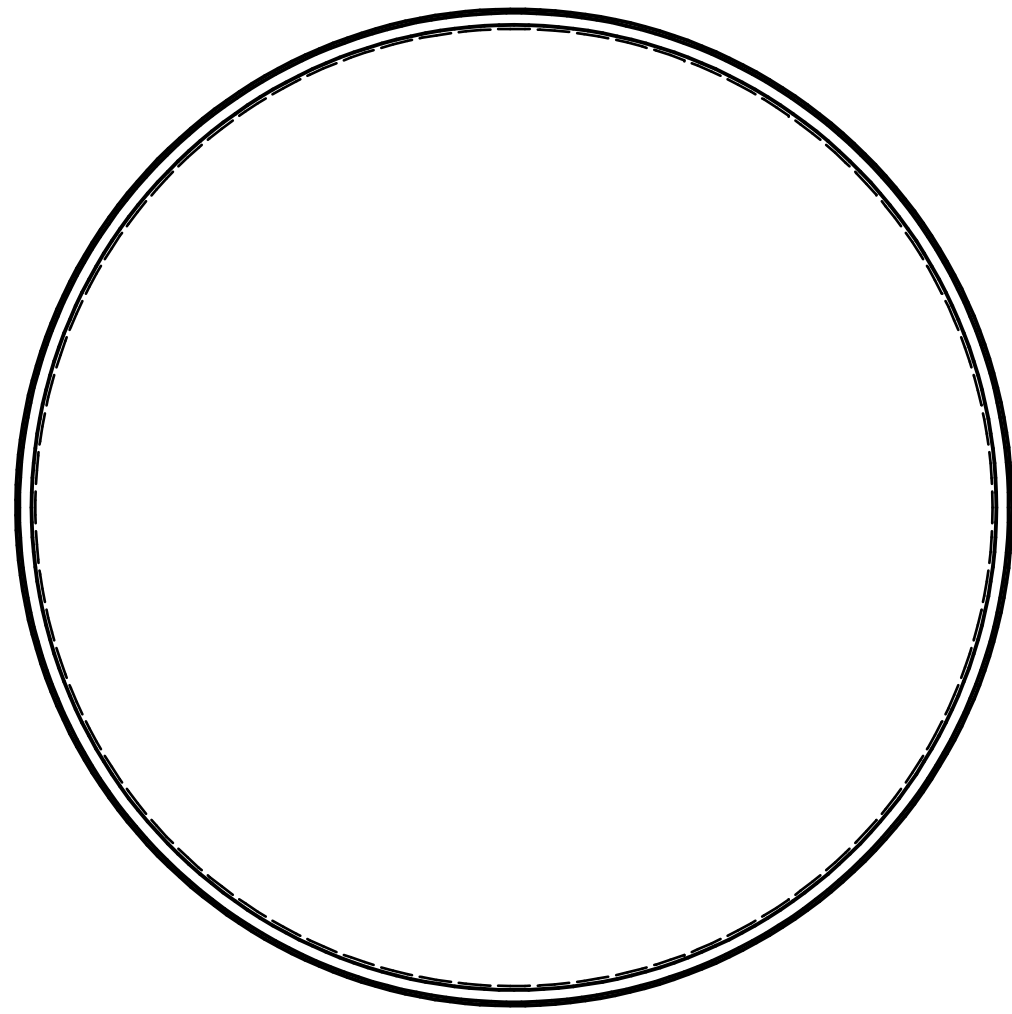


J 16 | 15 | 14 | 13 | 12 | 11 | 10 | 9 | 8 | 7 | 6 | 5 | 4 | 3 | 2 | 1 J

I
H
G
F
E
D
C
B
A



NOTES:
 1. FORM FROM STANDARD SS304 TMSL1216 LID
 2. BRUSH FINISH INSIDE AND OUTSIDE

DRAWN: 2/9/2004
 BY: JIM KNAPP
 Unless otherwise specified:
 1. Tolerances
 x/x +/- 0.25
 x.x +/- 0.13
 x.xx +/- 0.03
 x.xxx +/- 0.010
 x.xxxx +/- 0.002
 (x.xxxx) Reference
 2. Break all sharp edges
 and remove all burrs
 3. Units are in inches

Toledo Metal Spinning Co. 1819 Clinton St., Toledo, OH 43607 Tel:(419)535-5931 Fax:(419)535-0565 http://www.toledometal spinning.com		
TITLE 12" SS304 Lid with Bead		
SIZE B	PART NUMBER TMSL1216-BEADED	REV 00
SCALE		SHEET 1 OF 1

A 16 | 15 | 14 | 13 | 12 | 11 | 10 | 9 | 8 | 7 | 6 | 5 | 4 | 3 | 2 | 1 A