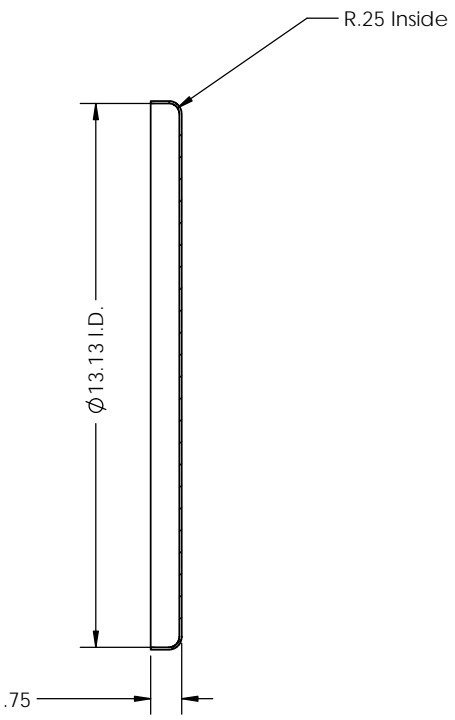
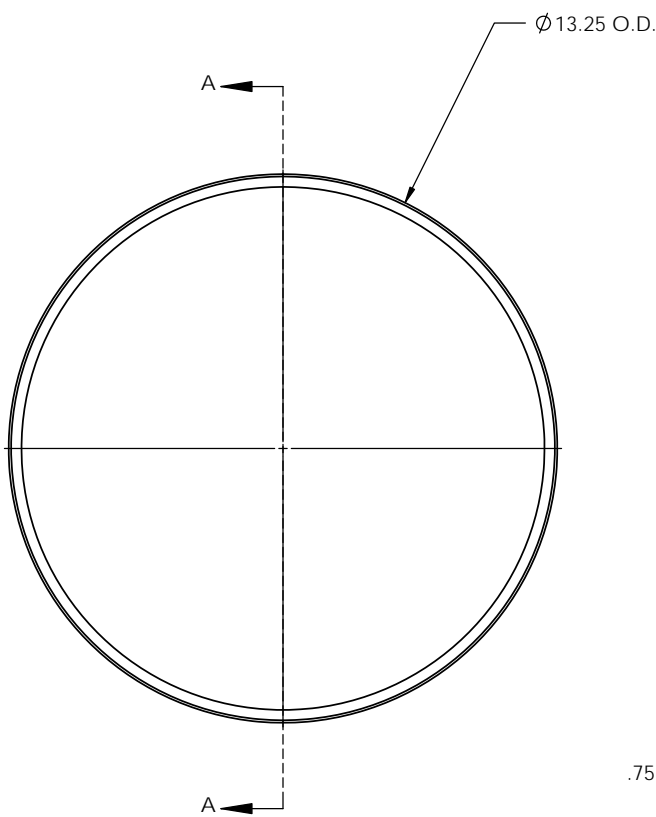
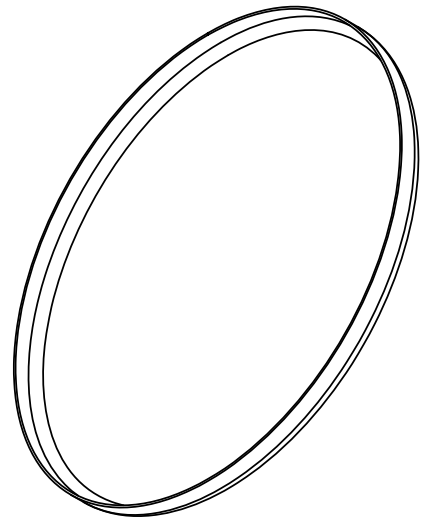


1 2 3 4 5 6 7 8 9 10 11 12 13 14 15 16 17 18

A  
B  
C  
D  
E  
F  
G  
H  
I



SECTION A-A  
SCALE 1 : 3



REVISIONS				
ZONE	REV.	DESCRIPTION	DATE	APPROVED
	0	Release	12/15/00	



**TOLEDO METAL SPINNING COMPANY**

1819 Clinton Street, Toledo, OH 43607  
 Tel:(419) 535-5931, Fax: (419) 535-0565  
 www.toledometal spinning.com

PART NO. TMSL1216	DATE: 07/30/2012
DESCRIPTION: TMS SS LID	DRAWN BY: D.J.
MATERIAL: 304 SS 16Ga.	REV. 0

- Unless otherwise specified:
- Tolerances:  
 X. ±0.25 X.XXX ±0.005  
 X.X ±0.12 X.XXXX ±0.001  
 X.XX ±0.03 Ang. ±1°
  - All dimensions are in inches
  - Break all edges with R1/32" to R1/16"