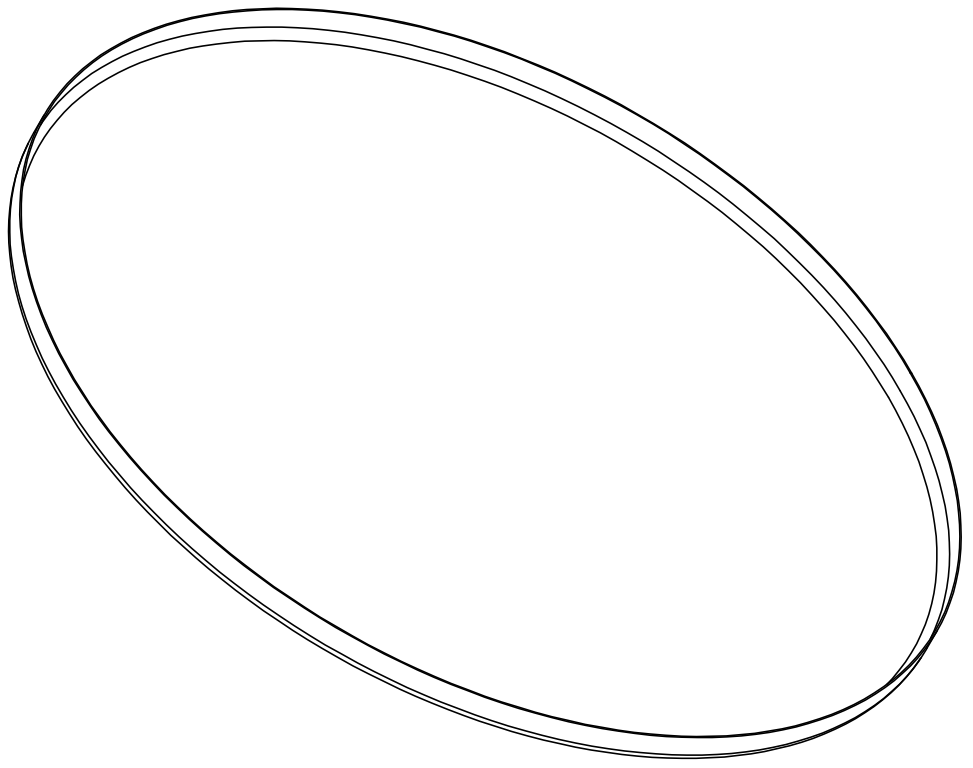
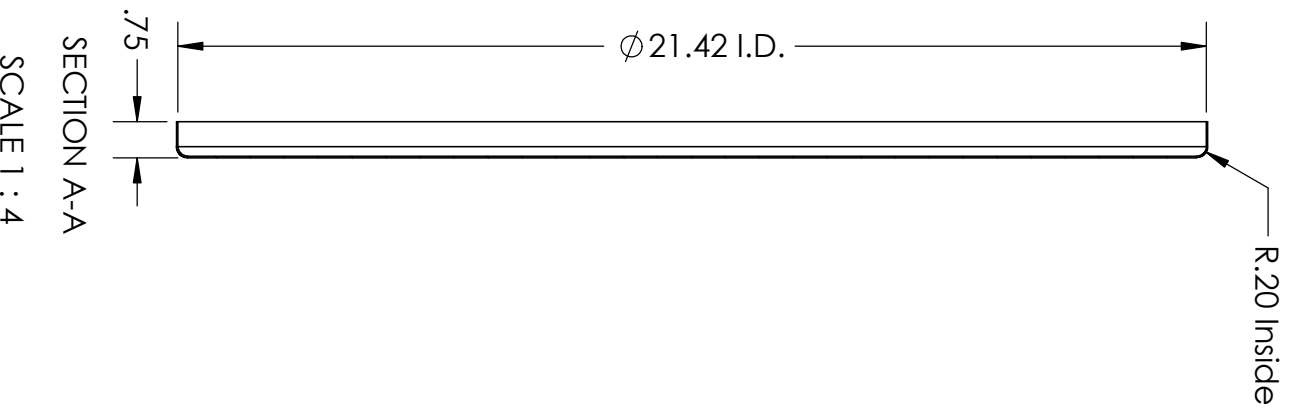
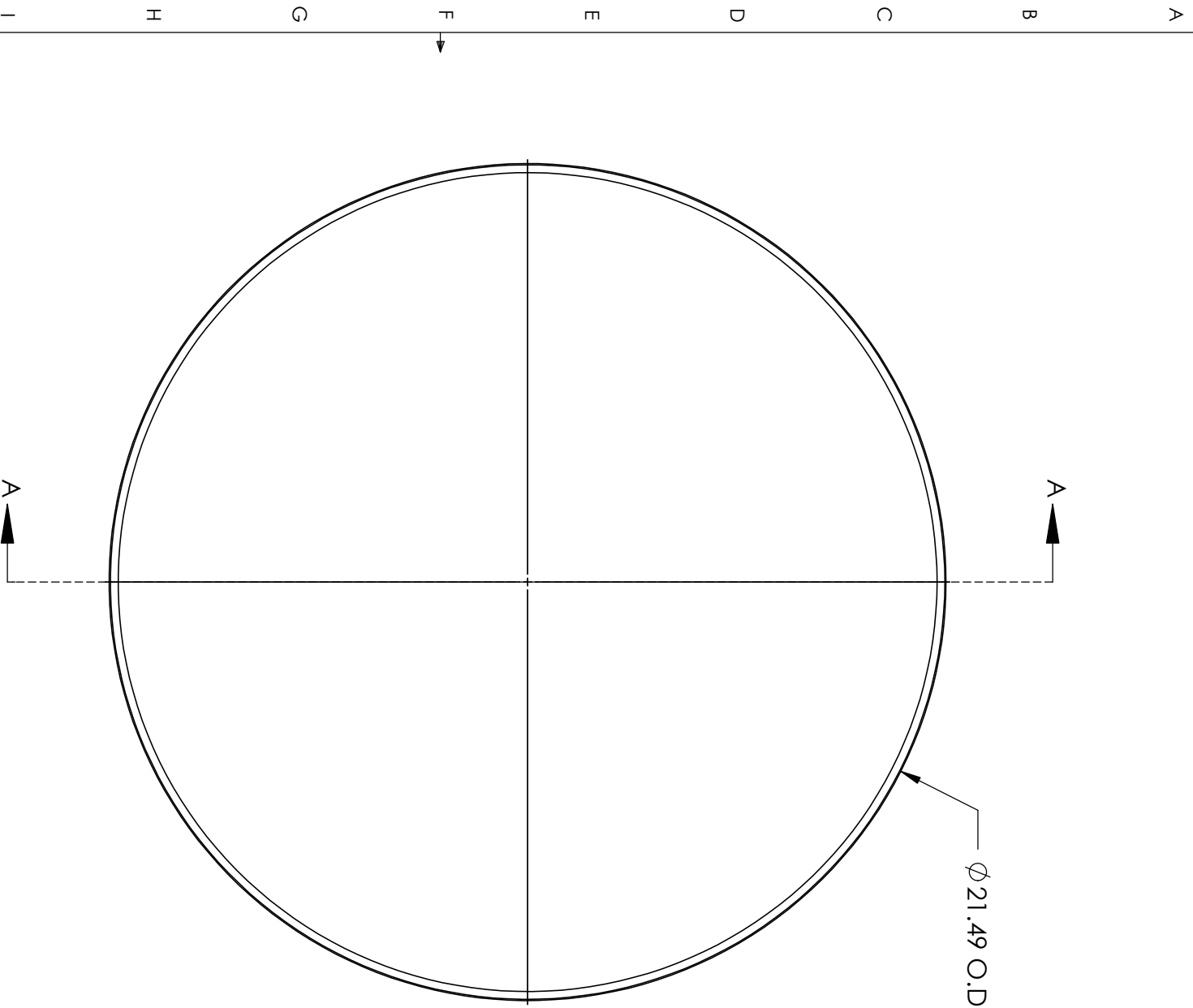


REVISIONS				
ZONE	REV.	DESCRIPTION	DATE	APPROVED
	0	Release	10/03/2012	



TOLEDO METAL SPINNING COMPANY

1819 Clinton Street, Toledo, OH 43607
 Tel:(419) 535-5931, Fax: (419) 535-0565
 www.toledometalsspining.com



PART NO. TMSL2022	DATE: 10/03/2012	Unless otherwise specified: 1. Tolerances: X ±0.25 X.XXX ±0.005 XX ±0.12 X:XX ±0.03 Ang. ±1° 2. All dimensions are in inches 3. Break all edges with R1/32" to R1/16"
DESCRIPTION: TMS SS LID	DRAWN BY: CWM	
MATERIAL: 304 SS 22Gca.	REV. 0	