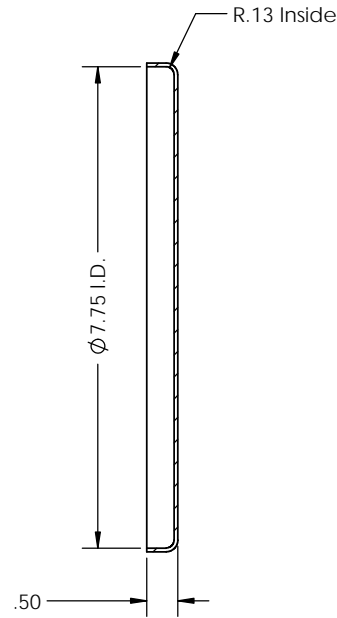
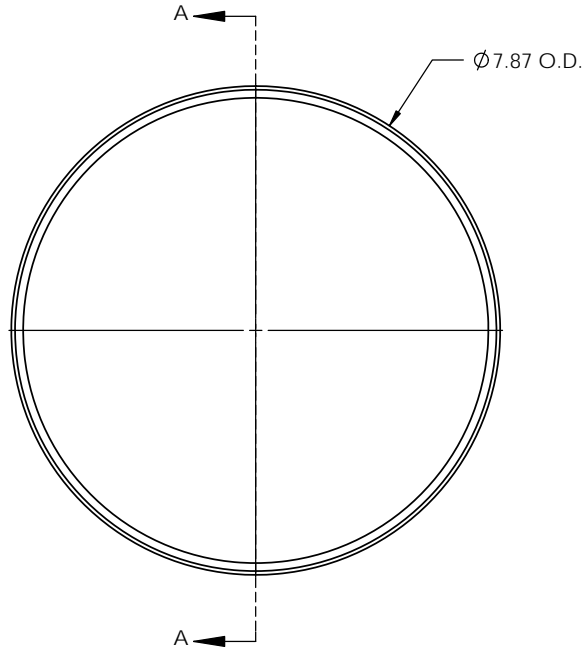


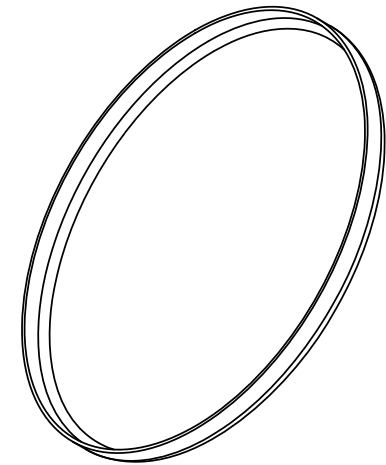
1 2 3 4 5 6 7 8 9 10 11 12 13 14 15 16 17 18

A
B
C
D
E
F
G
H
I

REVISIONS				
ZONE	REV.	DESCRIPTION	DATE	APPROVED
	0	Release	12/21/00	



SECTION A-A



TOLEDO METAL SPINNING COMPANY

1819 Clinton Street, Toledo, OH 43607
 Tel:(419) 535-5931, Fax: (419) 535-0565
 www.toledometal spinning.com

PART NO. TMSL616

DESCRIPTION: TMS SS LID

MATERIAL: 304 SS 16Ga.

DATE: 07/30/2012

DRAWN BY: D.J.

REV. 0

Unless otherwise specified:

- Tolerances:
 X. ±0.25 X.XXX ±0.005
 X.X ±0.12 X.XXXX ±0.001
 X.XX ±0.03 Ang. ±1°
- All dimensions are in inches
- Break all edges with R1/32" to R1/16"