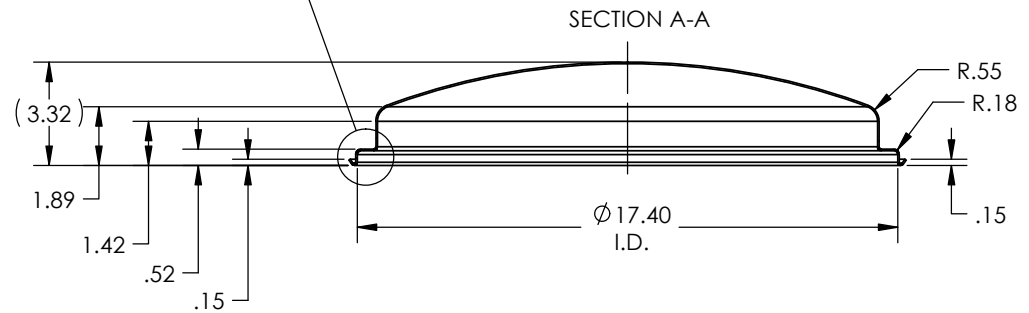
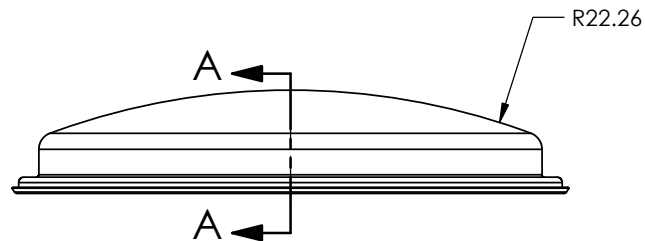
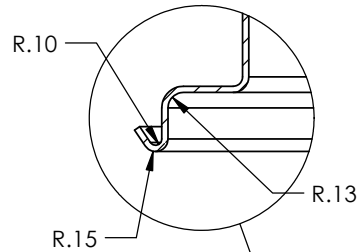


DETAIL C
SCALE 1 : 1



TOLEDO METAL SPINNING COMPANY

1819 Clinton Street, Toledo, OH 43607
 Tel: (419) 535-5931, Fax: (419) 535-0565
 www.toledometal spinning.com

PART NO. TMSLD1618-BEADED

DESCRIPTION: TMS 16" SS DOME LID

MATERIAL: 304 SS 18 GA

DATE: 05/28/2009

DRAWN BY: L.F.

REV. -

Unless otherwise specified:

1. Tolerances:
 X. ±0.25 X.XXX ±0.005
 X.X ±0.12 X.XXXX ±0.001
 X.XX ±0.03 Ang. ±1°
2. All dimensions are in inches
3. Break all edges with R1/32" to R1/16"