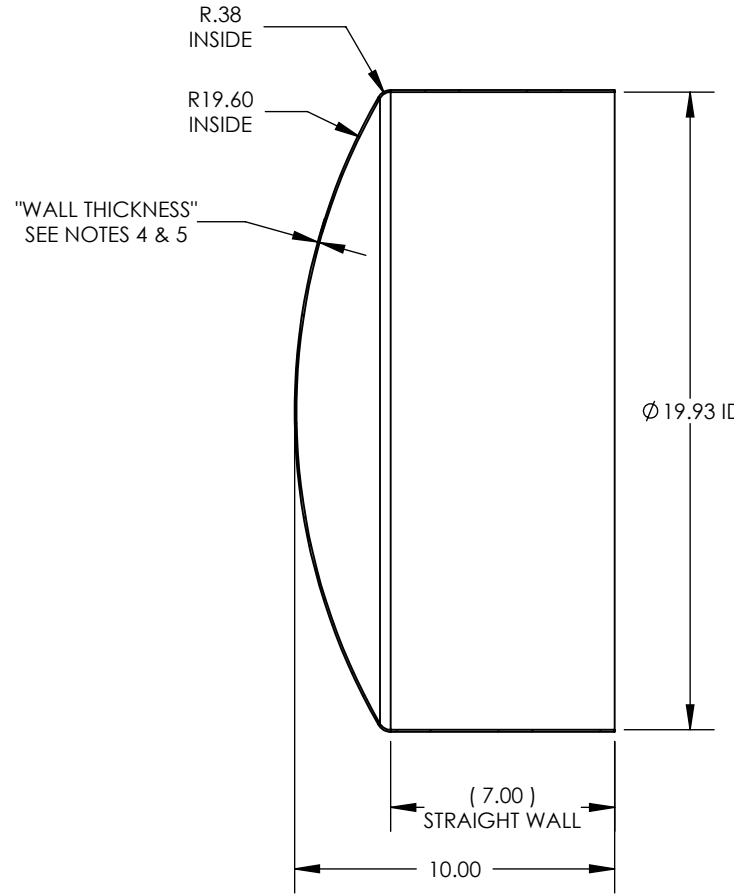
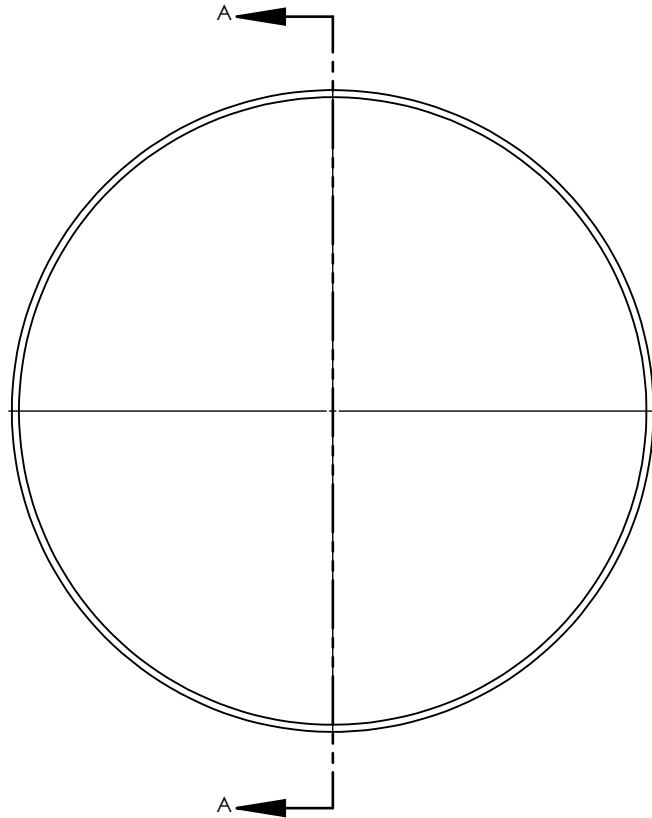


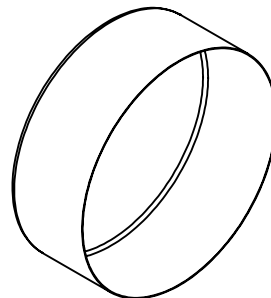
NOTES (UNLESS OTHERWISE SPECIFIED) :

- 1. PART IS SEAMLESS, FORMED FROM SHEET METAL CONTAINING NO WELDS.
- 2. NO SHARP EDGES OR BURRS
- 3. SEE **FINISH LIST** FOR AVAILABLE SURFACE FINISHES.
- 4. SEE **MATERIAL LIST** FOR AVAILABLE PARENT METALS AND THICKNESSES.
 - 1. MAXIMUM OAH IS 9.75" FOR STAINLESS WITH A THICKNESS GREATER THAN 0.075".
- 5. IMPORTANT: PART WALL THICKNESS THINS OUT BY APPROXIMATELY 10-25% FROM PARENT METAL THICKNESS, DEPENDING ON THE FORMING PROCESS (NOT DEPICTED).

REVISIONS			
REV.	DESCRIPTION	DATE	APPROVED
00	INITIAL RELEASE FOR MANUFACTURING	11DEC2001	J.KNAPP
01	Updated sheet format, clarified material thicknesses notation	08AUG2012	D.JOHNSON
A	Updated sheet format, corrected title block and revision block author information, added notes 1 through 5.	15APR2016	R.DAVIS



SECTION A-A



- UNLESS OTHERWISE SPECIFIED:
- 1. DO NOT SCALE DRAWING
 - 2. DIMENSIONS ARE IN INCHES
 - 3. TOLERANCE:
 - FRACTIONAL ± .25
 - X.X ±.1
 - X.XX ±.03
 - X.XXX ±.010
 - ANGULAR: ±2 DEG.
 - 4. INTERPRET DRAWING PER ASME-Y14.5M-2009 STANDARDS
 - 5. THIRD ANGLE PROJECTION
 - 6. REMOVE BURRS & BREAK ALL SHARP EDGES WITH R0.03 ±.02

	NAME	DATE
DRAWN	J.KNAPP	11DEC2001
CHECKED		
ENG APPR.		
MFG APPR.		
Q.A.		

PROPRIETARY AND CONFIDENTIAL

THE INFORMATION CONTAINED WITHIN THIS DRAWING IS THE SOLE PROPERTY OF TOLEDO METAL SPINNING COMPANY. ANY REPRODUCTION IN PART OR AS A WHOLE WITHOUT WRITTEN PERMISSION OF TOLEDO METAL SPINNING COMPANY IS PROHIBITED.

TOLEDO METAL SPINNING COMPANY EST. 1929		
TITLE: 20" RADIUS DOME WITH 20" ID		
SIZE A	DRAWING NUMBER TMSD20D20R	REV A
SCALE: 1:6	WEIGHT: 14.02 (16ga CRS)	SHEET 1 OF 1

Price or purchase online at
www.toledometal spinning.com,
 or contact sales at 419-214-3245 or
sales@toledometal spinning.com.